

**NOTICE!!**

**These documents have been scanned!**

**Do not place un-scanned documents beneath this notice!**

**Do not remove this notice from this file!**

GPO Jacket No. 560-102  
Print Order 61540  
Rise Business Services, LLC  
Job=AZ15 5/13/2019



Box Number= AZ15038



Claim Begin-End: AMC424435-AMC424464

1 Initial Receipt



AZ15038-9

AMC423774-AMC424570

**United States Department of the Interior**  
**Bureau of Land Management**  
 BUSINESS & SUPPORT SVCS DIV  
 ONE N CENTRAL AVE SUITE 800  
 PHOENIX, AZ 85004 -4427  
 Phone: 602-417-9200

Receipt

No: **3951223**

<b>Transaction #:</b> 4060952	
<b>Date of Transaction:</b> 08/22/2017	
<b>CUSTOMER:</b>	
MONIQUE DELORME 2397 UPTON COURT OAKVILLE, ON L6L 5E3 CA	

LINE #	QTY	DESCRIPTION	REMARKS	UNIT PRICE	TOTAL
1	1.00	LOCATABLE MINERALS / MINING CLAIMS- NOT NEW-UNADJUD, ONE AUTH NO. ONLY / MINING CLAIM MONEY RECEIVED <b>CASES:</b> AMC424441/\$8060.00		- n/a -	8060.00
<b>TOTAL:</b>					<b>\$8,060.00</b>

PAYMENT INFORMATION			
NOTE: Items will appear on credit card statement as "BLM O Mining Claim".			
1	AMOUNT:	8060.00	POSTMARKED: N/A
	TYPE:	CREDIT CARD	RECEIVED: 08/22/2017
	NAME:	MONIQUE DELORME 2397 UPTON COURT OAKVILLE ON L6L 5E3 CA	
	CARD NO:	XXXXXXXXXXXX8731	AUTH CODE: 013652
	NAME ON CARD:	MONIQUE DELORME	
	EXPIRES:	10/2018	
	SIGNATURE:		

REMARKS

This receipt was generated by the automated BLM Collections and Billing System and is a paper representation of a portion of the official electronic record contained therein.

Run Date: 08/28/17

Run Time: 12:44 PM

**DEPARTMENT OF THE INTERIOR  
BUREAU OF LAND MANAGEMENT  
MINING CLAIMS**

**MC Maintenance Fees Paid Through the BLM Pay Portal**

**CBS Receipt: 3951223**

Printed For Lead File # AMC409963

Agency Tracking ID: 1503405963

Assessment Year: 2018

Number of BLM Serial Nr: 52

Paid On: 08/22/2017

Total Amount Paid: \$8,060.00

Claim Name	BLM Serial No	Lead File No	Amount Paid
BD #1	AMC409963	AMC409963	\$155.00
BD #2	AMC409964	AMC409963	\$155.00
BD #3	AMC409965	AMC409963	\$155.00
BD #4	AMC409966	AMC409963	\$155.00
BD #5	AMC409967	AMC409963	\$155.00
BD #6	AMC409968	AMC409963	\$155.00
ESM #1	AMC410195	AMC410195	\$155.00
ESM #2	AMC410196	AMC410195	\$155.00
ESM #3	AMC410197	AMC410195	\$155.00
ESM #4	AMC410198	AMC410195	\$155.00
ESM #5	AMC410199	AMC410195	\$155.00
ESM #6	AMC410200	AMC410195	\$155.00
ESM #7	AMC410201	AMC410195	\$155.00
ESM #8	AMC410202	AMC410195	\$155.00
ESM #9	AMC410203	AMC410195	\$155.00
ESM #10	AMC410204	AMC410195	\$155.00
ESM #11	AMC410205	AMC410195	\$155.00
ESM #12	AMC410206	AMC410195	\$155.00
ESM #13	AMC410207	AMC410195	\$155.00
ESM #14	AMC410208	AMC410195	\$155.00
ESM #15	AMC410209	AMC410195	\$155.00
ESM #16	AMC410210	AMC410195	\$155.00
BD #7	AMC424435	AMC424435	\$155.00
BD #7	AMC424436	AMC424435	\$155.00
BD #7	AMC424437	AMC424435	\$155.00
BD #10	AMC424438	AMC424435	\$155.00
BD #11	AMC424439	AMC424435	\$155.00
BD #12	AMC424440	AMC424435	\$155.00
BD #13	AMC424441	AMC424435	\$155.00
BD #14	AMC424442	AMC424435	\$155.00
BD #15	AMC424443	AMC424435	\$155.00
BD #16	AMC424444	AMC424435	\$155.00
BD #17	AMC424445	AMC424435	\$155.00
BD #18	AMC424446	AMC424435	\$155.00
BD #19	AMC424447	AMC424435	\$155.00
BD #20	AMC424448	AMC424435	\$155.00

**NO WARRANTY IS MADE BY BLM FOR USE OF THE DATA FOR PURPOSES NOT INTENDED BY BLM**

Run Date: 08/28/17

Run Time: 12:44 PM

**DEPARTMENT OF THE INTERIOR  
BUREAU OF LAND MANAGEMENT  
MINING CLAIMS**

**MC Maintenance Fees Paid Through the BLM Pay Portal**

**CBS Receipt: 3951223**

Printed For Lead File # AMC409963

Agency Tracking ID: 1503405963

Assessment Year: 2018

Number of BLM Serial Nr: 52

Paid On: 08/22/2017

Total Amount Paid: \$8,060.00

Claim Name	BLM Serial No	Lead File No	Amount Paid
BD #21	AMC424449	AMC424435	\$155.00
BD #22	AMC424450	AMC424435	\$155.00
BD #23	AMC424451	AMC424435	\$155.00
BD #24	AMC424452	AMC424435	\$155.00
BD #25	AMC424453	AMC424435	\$155.00
BD #26	AMC424454	AMC424435	\$155.00
BD #27	AMC424455	AMC424435	\$155.00
BD #28	AMC424456	AMC424435	\$155.00
BD #29	AMC424457	AMC424435	\$155.00
BD #30	AMC424458	AMC424435	\$155.00
BD #31	AMC424459	AMC424435	\$155.00
BD #32	AMC424460	AMC424435	\$155.00
BD #33	AMC424461	AMC424435	\$155.00
BD #34	AMC424462	AMC424435	\$155.00
BD #35	AMC424463	AMC424435	\$155.00
BD #36	AMC424464	AMC424435	\$155.00

**United States Department of the Interior**  
**Bureau of Land Management**  
 LANDS/RECREATION & PLANNING  
 ONE N CENTRAL AVE  
 PHOENIX, AZ 85004 -2203  
 Phone: 602-417-9200

**ENTERED**  
 AUG 28 2013  
 BY: *[Signature]*

Receipt

No:

2844858

<b>Transaction #:</b> 2930507		<b>ENTERED INTO COMPUTER</b> AUG 28 2013 <i>[Signature]</i>
<b>Date of Transaction:</b> 08/01/2013		
<b>CUSTOMER:</b>		
NICHOLAS BARR PO BOX 6688 APACHE JUNCTION, AZ 85178-0046 US		

LINE #	QTY	DESCRIPTION	REMARKS	UNIT PRICE	TOTAL
1	30.00	LOCATABLE MINERALS / MINING CLAIMS- NEW, UNADJUD, ONE OR MORE AUTH NOS / NEW MINING CLAIM LOCATION FEE \$34 <b>CASES:</b> AMC424435/\$34.00, AMC424436/\$34.00, AMC424437/\$34.00, AMC424438/\$34.00, AMC424439/\$34.00, AMC424440/\$34.00, AMC424441/\$34.00, AMC424442/\$34.00, AMC424443/\$34.00, AMC424444/\$34.00, AMC424445/\$34.00, AMC424446/\$34.00, AMC424447/\$34.00, AMC424448/\$34.00, AMC424449/\$34.00, AMC424450/\$34.00, AMC424451/\$34.00, AMC424452/\$34.00, AMC424453/\$34.00, AMC424454/\$34.00, AMC424455/\$34.00, AMC424456/\$34.00, AMC424457/\$34.00, AMC424458/\$34.00, AMC424459/\$34.00, AMC424460/\$34.00, AMC424461/\$34.00, AMC424462/\$34.00, AMC424463/\$34.00, AMC424464/\$34.00		- n/a -	1020.00
2	30.00	LOCATABLE MINERALS / MINING CLAIMS- NEW, UNADJUD, ONE OR MORE AUTH NOS / NEW MINING CLAIM MAINT FEE \$140 <b>CASES:</b> AMC424435/\$140.00, AMC424436/\$140.00, AMC424437/\$140.00, AMC424438/\$140.00, AMC424439/\$140.00, AMC424440/\$140.00, AMC424441/\$140.00, AMC424442/\$140.00, AMC424443/\$140.00, AMC424444/\$140.00, AMC424445/\$140.00, AMC424446/\$140.00, AMC424447/\$140.00, AMC424448/\$140.00, AMC424449/\$140.00, AMC424450/\$140.00, AMC424451/\$140.00, AMC424452/\$140.00, AMC424453/\$140.00, AMC424454/\$140.00,		- n/a -	4200.00

		AMC424455/\$140.00, AMC424456/\$140.00, AMC424457/\$140.00, AMC424458/\$140.00, AMC424459/\$140.00, AMC424460/\$140.00, AMC424461/\$140.00, AMC424462/\$140.00, AMC424463/\$140.00, AMC424464/\$140.00			
3	30.00	LOCATABLE MINERALS / MINING CLAIMS- NEW, UNADJUD, ONE OR MORE AUTH NOS / NEW MINING CLAIM PROCESSING FEE \$15 <b>CASES:</b> AMC424435/\$15.00, AMC424436/\$15.00, AMC424437/\$15.00, AMC424438/\$15.00, AMC424439/\$15.00, AMC424440/\$15.00, AMC424441/\$15.00, AMC424442/\$15.00, AMC424443/\$15.00, AMC424444/\$15.00, AMC424445/\$15.00, AMC424446/\$15.00, AMC424447/\$15.00, AMC424448/\$15.00, AMC424449/\$15.00, AMC424450/\$15.00, AMC424451/\$15.00, AMC424452/\$15.00, AMC424453/\$15.00, AMC424454/\$15.00, AMC424455/\$15.00, AMC424456/\$15.00, AMC424457/\$15.00, AMC424458/\$15.00, AMC424459/\$15.00, AMC424460/\$15.00, AMC424461/\$15.00, AMC424462/\$15.00, AMC424463/\$15.00, AMC424464/\$15.00		- n/a -	450.00
<b>TOTAL:</b>				<b>\$5,670.00</b>	

PAYMENT INFORMATION				
1	AMOUNT:	5670.00	POSTMARKED:	N/A
	TYPE:	CHECK	RECEIVED:	08/01/2013
	CHECK NO:	3650003954		
	NAME:	BARR, NICHOLAS PO BOX 6688 APACHE JUNCTION AZ 85178-0046 US		

REMARKS

This receipt was generated by the automated BLM Collections and Billing System and is a paper representation of a portion of the official electronic record contained therein.

**NOTICE!!**

**These documents have been scanned!**

**Do not place un-scanned documents beneath this notice!**

**Do not remove this notice from this file!**

GPO Jacket No. 560-102  
Print Order 61540  
Rise Business Services, LLC  
Job=AZ15 5/13/2019



Box Number= AZ15038



Claim Begin-End: AMC424435-AMC424464

2 Correspondence



AZ15038-9

AMC423774-AMC424570

**NO  
DOCUMENTS  
FOUND**

NO DOCUMENTS FOUND  
NO DOCUMENTS FOUND



**NOTICE!!**

**These documents have been scanned!**

**Do not place un-scanned documents beneath this notice!**

**Do not remove this notice from this file!**

GPO Jacket No. 560-102  
Print Order 61540  
Rise Business Services, LLC  
Job=AZ15 5/13/2019



Box Number= AZ15038



Claim Begin-End: AMC424435-AMC424464

3 Transfers



AZ15038-9

AMC423774-AMC424570

**NO  
DOCUMENTS  
FOUND**

NO DOCUMENTS FOUND  
NO DOCUMENTS FOUND

**NOTICE!!**

**These documents have been scanned!**

**Do not place un-scanned documents beneath this notice!**

**Do not remove this notice from this file!**

GPO Jacket No. 560-102  
Print Order 61540  
Rise Business Services, LLC  
Job=AZ15 5/13/2019



Box Number= AZ15038



Claim Begin-End: AMC424435-AMC424464

4 Miscellaneous



AZ15038-9

AMC423774-AMC424570

**NO  
DOCUMENTS  
FOUND**

NO DOCUMENTS FOUND  
NO DOCUMENTS FOUND

**NOTICE!!**

**These documents have been scanned!**

**Do not place un-scanned documents beneath this notice!**

**Do not remove this notice from this file!**

GPO Jacket No. 560-102  
Print Order 61540  
Rise Business Services, LLC  
Job=AZ15 5/13/2019



Box Number= AZ15038



Claim Begin-End: AMC424435-AMC424464

5 Annual Filings



AZ15038-9

AMC423774-AMC424570

DEPARTMENT OF THE INTERIOR  
BUREAU OF LAND MANAGEMENT  
MINING CLAIMS

Run Date/Time: 9/11/2018

MC Maintenance Fees Paid Through the BLM Pay Portal  
(by Date Paid)

Page 183 Of 723

**CBS Receipt: 4243201**

Printed For Lead File # **AMC424435**

Agency Tracking ID: 1535057610

Assessment Year: 2019

Paid On: 8/23/2018

Number of BLM Serial Nr: 52

Total Amount Paid: \$8,060.00

Claim Name	BLM Serial No	Lead File No	Amount Paid
BD #1	AMC409963	AMC409963	\$155.00
BD #2	AMC409964	AMC409963	\$155.00
BD #3	AMC409965	AMC409963	\$155.00
BD #4	AMC409966	AMC409963	\$155.00
BD #5	AMC409967	AMC409963	\$155.00
BD #6	AMC409968	AMC409963	\$155.00
ESM #1	AMC410195	AMC410195	\$155.00
ESM #2	AMC410196	AMC410195	\$155.00
ESM #3	AMC410197	AMC410195	\$155.00
ESM #4	AMC410198	AMC410195	\$155.00
ESM #5	AMC410199	AMC410195	\$155.00
ESM #6	AMC410200	AMC410195	\$155.00
ESM #7	AMC410201	AMC410195	\$155.00
ESM #8	AMC410202	AMC410195	\$155.00
ESM #9	AMC410203	AMC410195	\$155.00
ESM #10	AMC410204	AMC410195	\$155.00
ESM #11	AMC410205	AMC410195	\$155.00
ESM #12	AMC410206	AMC410195	\$155.00
ESM #13	AMC410207	AMC410195	\$155.00
ESM #14	AMC410208	AMC410195	\$155.00
ESM #15	AMC410209	AMC410195	\$155.00
ESM #16	AMC410210	AMC410195	\$155.00
BD #7	AMC424435	AMC424435	\$155.00
BD #7	AMC424436	AMC424435	\$155.00

NO WARRANTY IS MADE BY BLM FOR USE OF THE DATA FOR PURPOSES NOT INTENDED BY BLM

**DEPARTMENT OF THE INTERIOR  
BUREAU OF LAND MANAGEMENT  
MINING CLAIMS**

Run Date/Time: 9/11/2018

**MC Maintenance Fees Paid Through the BLM Pay Portal  
(by Date Paid)**

Page 184 Of 723

BD #7	AMC424437	AMC424435	\$155.00
BD #10	AMC424438	AMC424435	\$155.00
BD #11	AMC424439	AMC424435	\$155.00
BD #12	AMC424440	AMC424435	\$155.00
BD #13	AMC424441	AMC424435	\$155.00
BD #14	AMC424442	AMC424435	\$155.00
BD #15	AMC424443	AMC424435	\$155.00
BD #16	AMC424444	AMC424435	\$155.00
BD #17	AMC424445	AMC424435	\$155.00
BD #18	AMC424446	AMC424435	\$155.00
BD #19	AMC424447	AMC424435	\$155.00
BD #20	AMC424448	AMC424435	\$155.00
BD #21	AMC424449	AMC424435	\$155.00
BD #22	AMC424450	AMC424435	\$155.00
BD #23	AMC424451	AMC424435	\$155.00
BD #24	AMC424452	AMC424435	\$155.00
BD #25	AMC424453	AMC424435	\$155.00
BD #26	AMC424454	AMC424435	\$155.00
BD #27	AMC424455	AMC424435	\$155.00
BD #28	AMC424456	AMC424435	\$155.00
BD #29	AMC424457	AMC424435	\$155.00
BD #30	AMC424458	AMC424435	\$155.00
BD #31	AMC424459	AMC424435	\$155.00
BD #32	AMC424460	AMC424435	\$155.00
BD #33	AMC424461	AMC424435	\$155.00
BD #34	AMC424462	AMC424435	\$155.00
BD #35	AMC424463	AMC424435	\$155.00
BD #36	AMC424464	AMC424435	\$155.00

**United States Department of the Interior**  
**Bureau of Land Management**  
 BUSINESS & SUPPORT SVCS DIV  
 ONE N CENTRAL AVE SUITE 800  
 PHOENIX, AZ 85004 -4427  
 Phone: 602-417-9200

Receipt

No: 4243201

<b>Transaction #:</b> 4358635	
<b>Date of Transaction:</b> 08/23/2018	
<b>CUSTOMER:</b>	
ARTHUR JOHN CARTER 2036 SALVATORE BOULEVARD OAKVILLE, ON L6L 1M7 CA	

LINE #	QTY	DESCRIPTION	REMARKS	UNIT PRICE	TOTAL
1	1.00	LOCATABLE MINERALS / MINING CLAIMS- NOT NEW-UNADJUD, ONE AUTH NO. ONLY / MINING CLAIM MONEY RECEIVED CASES: AMC409963/\$8060.00		- n/a -	8060.00
<b>TOTAL:</b>					<b>\$8,060.00</b>

PAYMENT INFORMATION			
NOTE: Items will appear on credit card statement as "BLM O Mining Claim".			
1	AMOUNT:	8060.00	POSTMARKED: N/A
	TYPE:	CREDIT CARD	RECEIVED: 08/23/2018
	NAME:	ARTHUR JOHN CARTER 2036 SALVATORE BOULEVARD OAKVILLE ON L6L 1M7 CA	
	CARD NO:	XXXXXXXXXXXX1006	AUTH CODE: 277736
	NAME ON CARD:	ARTHUR JOHN CARTER	
	SIGNATURE:		

REMARKS

This receipt was generated by the automated BLM Collections and Billing System and is a paper representation of a portion of the official electronic record contained therein.



Run Date: 08/28/17

Run Time: 12:44 PM

**DEPARTMENT OF THE INTERIOR  
BUREAU OF LAND MANAGEMENT  
MINING CLAIMS**

**MC Maintenance Fees Paid Through the BLM Pay Portal**

**CBS Receipt: 3951223**

Printed For Lead File # AMC424435

Agency Tracking ID: 1503405963

Assessment Year: 2018

Number of BLM Serial Nr: 52

Paid On: 08/22/2017

Total Amount Paid: \$8,060.00

Claim Name	BLM Serial No	Lead File No	Amount Paid
BD #1	AMC409963	AMC409963	\$155.00
BD #2	AMC409964	AMC409963	\$155.00
BD #3	AMC409965	AMC409963	\$155.00
BD #4	AMC409966	AMC409963	\$155.00
BD #5	AMC409967	AMC409963	\$155.00
BD #6	AMC409968	AMC409963	\$155.00
ESM #1	AMC410195	AMC410195	\$155.00
ESM #2	AMC410196	AMC410195	\$155.00
ESM #3	AMC410197	AMC410195	\$155.00
ESM #4	AMC410198	AMC410195	\$155.00
ESM #5	AMC410199	AMC410195	\$155.00
ESM #6	AMC410200	AMC410195	\$155.00
ESM #7	AMC410201	AMC410195	\$155.00
ESM #8	AMC410202	AMC410195	\$155.00
ESM #9	AMC410203	AMC410195	\$155.00
ESM #10	AMC410204	AMC410195	\$155.00
ESM #11	AMC410205	AMC410195	\$155.00
ESM #12	AMC410206	AMC410195	\$155.00
ESM #13	AMC410207	AMC410195	\$155.00
ESM #14	AMC410208	AMC410195	\$155.00
ESM #15	AMC410209	AMC410195	\$155.00
ESM #16	AMC410210	AMC410195	\$155.00
BD #7	AMC424435	AMC424435	\$155.00
BD #7	AMC424436	AMC424435	\$155.00
BD #7	AMC424437	AMC424435	\$155.00
BD #10	AMC424438	AMC424435	\$155.00
BD #11	AMC424439	AMC424435	\$155.00
BD #12	AMC424440	AMC424435	\$155.00
BD #13	AMC424441	AMC424435	\$155.00
BD #14	AMC424442	AMC424435	\$155.00
BD #15	AMC424443	AMC424435	\$155.00
BD #16	AMC424444	AMC424435	\$155.00
BD #17	AMC424445	AMC424435	\$155.00
BD #18	AMC424446	AMC424435	\$155.00
BD #19	AMC424447	AMC424435	\$155.00
BD #20	AMC424448	AMC424435	\$155.00

**NO WARRANTY IS MADE BY BLM FOR USE OF THE DATA FOR PURPOSES NOT INTENDED BY BLM**

Run Date: 08/28/17

Run Time: 12:44 PM

**DEPARTMENT OF THE INTERIOR  
BUREAU OF LAND MANAGEMENT  
MINING CLAIMS**

**MC Maintenance Fees Paid Through the BLM Pay Portal**

**CBS Receipt: 3951223**

Printed For Lead File # AMC424435

Agency Tracking ID: 1503405963

Assessment Year: 2018

Number of BLM Serial Nr: 52

Paid On: 08/22/2017

Total Amount Paid: \$8,060.00

Claim Name	BLM Serial No	Lead File No	Amount Paid
BD #21	AMC424449	AMC424435	\$155.00
BD #22	AMC424450	AMC424435	\$155.00
BD #23	AMC424451	AMC424435	\$155.00
BD #24	AMC424452	AMC424435	\$155.00
BD #25	AMC424453	AMC424435	\$155.00
BD #26	AMC424454	AMC424435	\$155.00
BD #27	AMC424455	AMC424435	\$155.00
BD #28	AMC424456	AMC424435	\$155.00
BD #29	AMC424457	AMC424435	\$155.00
BD #30	AMC424458	AMC424435	\$155.00
BD #31	AMC424459	AMC424435	\$155.00
BD #32	AMC424460	AMC424435	\$155.00
BD #33	AMC424461	AMC424435	\$155.00
BD #34	AMC424462	AMC424435	\$155.00
BD #35	AMC424463	AMC424435	\$155.00
BD #36	AMC424464	AMC424435	\$155.00

**United States Department of the Interior**  
**Bureau of Land Management**  
 BUSINESS & SUPPORT SVCS DIV  
 ONE N CENTRAL AVE SUITE 800  
 PHOENIX, AZ 85004 -4427  
 Phone: 602-417-9200

Receipt

No: 3951223

<b>Transaction #:</b> 4060952	
<b>Date of Transaction:</b> 08/22/2017	
<b>CUSTOMER:</b>	
MONIQUE DELORME 2397 UPTON COURT OAKVILLE, ON L6L 5E3 CA	

LINE #	QTY	DESCRIPTION	REMARKS	UNIT PRICE	TOTAL
1	1.00	LOCATABLE MINERALS / MINING CLAIMS- NOT NEW-UNADJUD, ONE AUTH NO. ONLY / MINING CLAIM MONEY RECEIVED CASES: AMC424441/\$8060.00		- n/a -	8060.00
<b>TOTAL:</b>					<b>\$8,060.00</b>

PAYMENT INFORMATION			
NOTE: Items will appear on credit card statement as "BLM O Mining Claim".			
1	AMOUNT:	8060.00	POSTMARKED: N/A
	TYPE:	CREDIT CARD	RECEIVED: 08/22/2017
	NAME:	MONIQUE DELORME 2397 UPTON COURT OAKVILLE ON L6L 5E3 CA	
	CARD NO:	XXXXXXXXXXXX8731	AUTH CODE: 013652
	NAME ON CARD:	MONIQUE DELORME	
	EXPIRES:	10/2018	
	SIGNATURE:		

REMARKS

This receipt was generated by the automated BLM Collections and Billing System and is a paper representation of a portion of the official electronic record contained therein.

**DEPARTMENT OF THE INTERIOR  
BUREAU OF LAND MANAGEMENT  
MINING CLAIMS**

**MC Maintenance Fees Paid Through the BLM Pay Portal**

**CBS Receipt: 3641838**Printed For Lead File # **AMC424435**

Agency Tracking ID: 1472156619

Number of BLM Serial Nr: 52

Assessment Year: 2017

Paid On: 08/25/2016

Total Amount Paid: \$8,060.00

Claim Name	BLM Serial No	Lead File No	Amount Paid
BD #1	AMC409963	AMC409963	\$155.00
BD #2	AMC409964	AMC409963	\$155.00
BD #3	AMC409965	AMC409963	\$155.00
BD #4	AMC409966	AMC409963	\$155.00
BD #5	AMC409967	AMC409963	\$155.00
BD #6	AMC409968	AMC409963	\$155.00
ESM #1	AMC410195	AMC410195	\$155.00
ESM #2	AMC410196	AMC410195	\$155.00
ESM #3	AMC410197	AMC410195	\$155.00
ESM #4	AMC410198	AMC410195	\$155.00
ESM #5	AMC410199	AMC410195	\$155.00
ESM #6	AMC410200	AMC410195	\$155.00
ESM #7	AMC410201	AMC410195	\$155.00
ESM #8	AMC410202	AMC410195	\$155.00
ESM #9	AMC410203	AMC410195	\$155.00
ESM #10	AMC410204	AMC410195	\$155.00
ESM #11	AMC410205	AMC410195	\$155.00
ESM #12	AMC410206	AMC410195	\$155.00
ESM #13	AMC410207	AMC410195	\$155.00
ESM #14	AMC410208	AMC410195	\$155.00
ESM #15	AMC410209	AMC410195	\$155.00
ESM #16	AMC410210	AMC410195	\$155.00
BD #7	AMC424435	AMC424435	\$155.00
BD #7	AMC424436	AMC424435	\$155.00
BD #7	AMC424437	AMC424435	\$155.00
BD #10	AMC424438	AMC424435	\$155.00
BD #11	AMC424439	AMC424435	\$155.00
BD #12	AMC424440	AMC424435	\$155.00
BD #13	AMC424441	AMC424435	\$155.00
BD #14	AMC424442	AMC424435	\$155.00
BD #15	AMC424443	AMC424435	\$155.00
BD #16	AMC424444	AMC424435	\$155.00
BD #17	AMC424445	AMC424435	\$155.00
BD #18	AMC424446	AMC424435	\$155.00
BD #19	AMC424447	AMC424435	\$155.00
BD #20	AMC424448	AMC424435	\$155.00

Run Date: 09/09/16

Run Time: 05:54 AM

**DEPARTMENT OF THE INTERIOR  
BUREAU OF LAND MANAGEMENT  
MINING CLAIMS**

**MC Maintenance Fees Paid Through the BLM Pay Portal**

**CBS Receipt: 3641838**

Printed For Lead File # AMC424435

Agency Tracking ID: 1472156619

Assessment Year: 2017

Number of BLM Serial Nr: 52

Paid On: 08/25/2016

Total Amount Paid: \$8,060.00

Claim Name	BLM Serial No	Lead File No	Amount Paid
BD #21	AMC424449	AMC424435	\$155.00
BD #22	AMC424450	AMC424435	\$155.00
BD #23	AMC424451	AMC424435	\$155.00
BD #24	AMC424452	AMC424435	\$155.00
BD #25	AMC424453	AMC424435	\$155.00
BD #26	AMC424454	AMC424435	\$155.00
BD #27	AMC424455	AMC424435	\$155.00
BD #28	AMC424456	AMC424435	\$155.00
BD #29	AMC424457	AMC424435	\$155.00
BD #30	AMC424458	AMC424435	\$155.00
BD #31	AMC424459	AMC424435	\$155.00
BD #32	AMC424460	AMC424435	\$155.00
BD #33	AMC424461	AMC424435	\$155.00
BD #34	AMC424462	AMC424435	\$155.00
BD #35	AMC424463	AMC424435	\$155.00
BD #36	AMC424464	AMC424435	\$155.00

**NO WARRANTY IS MADE BY BLM FOR USE OF THE DATA FOR PURPOSES NOT INTENDED BY BLM**

**United States Department of the Interior**  
**Bureau of Land Management**  
 BUSINESS & SUPPORT SVCS DIV  
 ONE N CENTRAL AVE SUITE 800  
 PHOENIX, AZ 85004 -4427  
 Phone: (602) 417-9200

Receipt

No: 3641838

<b>Transaction #:</b> 3745786	
<b>Date of Transaction:</b> 08/25/2016	
<b>CUSTOMER:</b>	
PAOLO DILUCIA 3800 N OCEAN DRIVE SINGER ISLAND, FL 33404 US	

LINE #	QTY	DESCRIPTION	REMARKS	UNIT PRICE	TOTAL
1	1.00	LOCATABLE MINERALS / MINING CLAIMS- NOT NEW-UNADJUD, ONE AUTH NO. ONLY / MINING CLAIM MONEY RECEIVED CASES: AMC424441/\$8060.00		- n/a -	8060.00
<b>TOTAL:</b>					<b>\$8,060.00</b>

PAYMENT INFORMATION			
NOTE: Items will appear on credit card statement as "BLM O Mining Claim".			
1	AMOUNT:	8060.00	POSTMARKED: N/A
	TYPE:	CREDIT CARD	RECEIVED: 08/25/2016
	NAME:	PAOLO DILUCIA 3800 N OCEAN DRIVE SINGER ISLAND FL 33404 US	
	CARD NO:	XXXXXXXXXXXX7140	AUTH CODE: 308163
	NAME ON CARD:	PAOLO DILUCIA	
	EXPIRES:	08/2020	
	SIGNATURE:		

REMARKS

This receipt was generated by the automated BLM Collections and Billing System and is a paper representation of a portion of the official electronic record contained therein.

389463  
 407488  
 410195  
 409963  
 424435

**MAINTENANCE FEE PAYMENT**

Claimant Name: BLACK DIAMOND EXPLORATION, INC

Address: P.O. Box 1028

City: CLAYPOOL State: AZ Zip: 85532

Telephone: (928) 425-3393

E-mail address: ron@blackdiamondexpl.com

Signature: [Handwritten Signature]

Check here if this is a change of address.

RECEIVED  
 BLM AZ STATE OFFICE  
 2015 AUG 25 A 10:00  
 PHOENIX, ARIZONA  
 BLM  
 Date  
 Stamp

LINE NO.	AMC NUMBER	CLAIM/SITE NAME	COUNTY RECORDER DATA (if available)	TWP	RNG	SEC
1	389463	Mc Morris #1		2N	15 1/2 E	3, 10
2	389464	Mc Morris #2		2N	15 1/2 E	3, 10
3	389465	Mc Morris #3		2N	15 1/2 E	3, 10
4	389466	Mc Morris #4		2N	15 1/2 E	3, 10
5	389467	Mc Morris #5		2N	15 1/2 E	10
6	389468	Mc Morris #6		2N	15 1/2 E	10
7	389469	Mc Morris #7		2N	15 1/2 E	10
8	389470	Mc Morris #8		2N	15 1/2 E	10
9	389471	Mc Morris #9		2N	15 1/2 E	10
10	389472	Mc Morris #10		2N	15 1/2 E	10, 11

List additional claims on Form MCF114.

Bureau of Land Management  
 Arizona State Office  
 www.blm.gov

No. of Claims: 180 x 27,900.00  
 Check No: 3650005747 FMC  
 Receipt No.: 3376011  
 For BLM Use Only

Form: MCF112  
 Revised July 2009  
 This form is available from the Arizona Department of Mines and Mineral Resources and may be reproduced.

BY: [Handwritten Signature]

SUPPLEMENTAL ATTACHMENT

May be used with the following forms for listing additional mining claims:

Check One.

- Affidavit of Performance of Annual Work
- Maintenance Fee Payment
- Notice of Intent to Hold Mining Claims
- Notice of Non-Liability for Labor and Materials Furnished

RECEIVED  
 DLM AZ STATE OFFICE  
 2015 AUG 25 A 10:00  
 PHOENIX, ARIZONA  
 BLM  
 Date  
 Stamp

LINE NO.	AMC NUMBER	CLAIM/SITE NAME	COUNTY RECORDER DATA (If available)	TWP	RNG	SEC
11	389473	Mc Morris #11		2N	15 1/2 E	11, 10
12	389474	Mc Morris #12		2N	15 1/2 E	11, 10
13	389475	Mc Morris #13		2N	15 1/2 E	11, 10
14	389476	Mc Morris #14		2N	15 1/2 E	10
15	389477	Mc Morris #15		2N	15 1/2 E	10
16	389478	Mc Morris #16		2N	15 1/2 E	10
17	389479	Mc Morris #17		2N	15 1/2 E	11, 10
18	389480	Mc Morris #18		2N	15 1/2 E	11, 10
19	389481	Mc Morris #19		2N	15 1/2 E	11
20	389482	Mc Morris #20		2N	15 1/2 E	11
21	407488	LA Esmeralda #1		2N	15 1/2 E	3
22	407489	Silver Sevens #1		2N	15 1/2 E	11
23	407490	Silver Sevens #2		2N	15 1/2 E	11

Form MCF114  
 Revised June 2005

This form is available from the Arizona Department of Mines & Mineral Resources and may be reproduced



**MAINTENANCE FEE PAYMENT**

Claimant Name: Black Diamond Exploration, Inc.

Address: P.O. Box 1028

City: Claypool State: AZ Zip: 85532

Telephone: 928-425-3383

E-mail address: ron@blackdiamondex.com

Signature: R. Murphy

Check here if this is a change of address.

RECEIVED  
 BLM AZ STATE OFFICE  
 2015 AUG 25 A 10:00  
 PHOENIX, ARIZONA  
 BLM  
 Date  
 Stamp

LINE NO.	AMC NUMBER	CLAIM/SITE NAME	COUNTY RECORDER DATA (If available)	TWP	RNG	SEC
1	389483	NIVEN #1		2N	15 1/2 E	10
2	389484	NIVEN #2		2N	15 1/2 E	10
3	389485	NIVEN #3		2N	15 1/2 E	10
4	389486	NIVEN #4		2N	15 E	12
5	389487	NIVEN #5		2N	15 1/2 E	10
6	389488	NIVEN #6		2N	15 E	12
7	389489	NIVEN #7		2N	15 1/2 E	10
8	389490	NIVEN #8		2N	15 E	12
9	389491	NIVEN #9		2N	15 1/2 E	10
10	389492	NIVEN #10		2N	15 1/2 E	10

List additional claims on Form MCF114.

Bureau of Land Management  
 Arizona State Office  
 www.blm.gov

No. of Claims: \_\_\_\_\_ x \_\_\_\_\_  
 Check No: \_\_\_\_\_ Init. \_\_\_\_\_  
 Receipt No.: \_\_\_\_\_  
 For BLM Use Only

Form: MCF112  
 Revised July 2009

SUPPLEMENTAL ATTACHMENT

May be used with the following forms for listing additional mining claims:

Check One.

- Affidavit of Performance of Annual Work
- Maintenance Fee Payment
- Notice of Intent to Hold Mining Claims
- Notice of Non-Liability for Labor and Materials Furnished

RECEIVED  
BLM AZ STATE OFFICE  
PHOENIX, ARIZONA  
2015 AUG 25 A 10:00  
BLM  
Date Stamp

LINE NO.	AMC NUMBER	CLAIM/SITE NAME	COUNTY RECORDER DATA (if available)	TWP	RNG	SEC
11	389493	NIVEN #11		2N	15 1/2 E	10
12	389494	NIVEN #12		2N	15 1/2 E	10
13	389495	NIVEN #13		2N	15 1/2 E	10
14	389496	NIVEN #14		2N	15 1/2 E	10
15	389497	NIVEN #15		2N	15 1/2 E	10
16	389498	NIVEN #16		2N	15 1/2 E	10
17	389499	NIVEN #17		2N	15 1/2 E	10, 15
18	389500	NIVEN #18		2N	15 1/2 E	10, 15
19	389501	NIVEN #19		2N	15 1/2 E	15
20	389502	NIVEN #20		2N	15 1/2 E	15
21	389503	NIVEN #21		2N	15 1/2 E	10, 15
22	389504	NIVEN #22		2N	15 1/2 E	10, 15
23	389505	NIVEN #23		2N	15 1/2 E	10, 15
24	389506	NIVEN #24		2N	15 1/2 E	10, 15
25	389507	NIVEN #25		2N	15 1/2 E	11, 14
26	389508	NIVEN #26		2N	15 1/2 E	11, 14
27	389509	NIVEN #27		2N	15 1/2 E	11, 14
28	389510	NIVEN #28		2N	15 1/2 E	11, 14
29	389511	NIVEN #29		2N	15 1/2 E	10, 11

Form MCF114  
Revised June 2005

This form is available from the Arizona Department of Mines & Mineral Resources and may be reproduced

**SUPPLEMENTAL ATTACHMENT**

May be used with the following forms for listing additional mining claims:

Check One.

- Affidavit of Performance of Annual Work
- Maintenance Fee Payment
- Notice of Intent to Hold Mining Claims
- Notice of Non-Liability for Labor and Materials Furnished

RECEIVED  
BLM AZ STATE OFFICE  
PHOENIX, ARIZONA  
2015 AUG 25 A 10 00  
BLM  
Date  
Stamp

LINE NO.	AMC NUMBER	CLAIM/SITE NAME	COUNTY RECORDER DATA (If available)	TWP	RNG	SEC
30	389512	NIVEN #30		2N	15 1/2 E	14
31	389513	NIVEN #31		2N	15 1/2 E	15
32	389514	NIVEN #32		2N	15 1/2 E	15
33	389515	NIVEN #33		2N	15 1/2 E	15
34	389516	NIVEN #34		2N	15 1/2 E	15
35	389517	NIVEN #35		2N	15 1/2 E	15
36	389518	NIVEN #36		2N	15 1/2 E	15
37	389519	NIVEN #37		2N	15 1/2 E	15
38	389520	NIVEN #38		2N	15 1/2 E	15
39	389521	NIVEN #39		2N	15 1/2 E	14, 15
40	389522	NIVEN #40		2N	16 1/2 E	14, 15
41	389523	NIVEN #41		2N	15 1/2 E	14, 15
42	389524	NIVEN #42		2N	15 1/2 E	14
43	389525	NIVEN #43		2N	15 1/2 E	14
44	389526	NIVEN #44		2N	15 1/2 E	14
45	389527	NIVEN #45		2N	15 1/2 E	14
46	389528	NIVEN #46		2N	15 1/2 E	14, 11
47	389529	NIVEN #47		2N	15 1/2 E	14
48	389530	NIVEN #48		2N	15 1/2 E	14

Form MCF114  
Revised June 2005

This form is available from the Arizona Department of Mines & Mineral Resources and may be reproduced

SUPPLEMENTAL ATT. MENT

May be used with the following forms for listing additional mining claims:

Check One.

- Affidavit of Performance of Annual Work
- Maintenance Fee Payment
- Notice of Intent to Hold Mining Claims
- Notice of Non-Liability for Labor and Materials Furnished

RECEIVED  
BLM AZ STATE OFFICE  
2015 AUG 25 A 10:00  
PHOENIX, ARIZONA

BLM  
Date  
Stamp

LINE NO.	AMC NUMBER	CLAIM/SITE NAME	COUNTY RECORDER DATA (if available)	TWP	RNG	SEC
49	389531	NIVEN #49		2N	15 1/2 E	14
50	389532	NIVEN #50		2N	15 1/2 E	14
51	389533	NIVEN #51		2N	15 1/2 E	14
52	389534	NIVEN #52		2N	15 1/2 E	14
53	389535	NIVEN #53		2N	15 1/2 E	14
54	389536	NIVEN #54		2N	15 1/2 E	14, 15
55	389537	NIVEN #55		2N	15 1/2 E	14, 15
56	389538	NIVEN #56		2N	15 1/2 E	15
57	389539	NIVEN #57		2N	15 1/2 E	15, 22
58	389540	NIVEN #58		2N	15 1/2 E	22, 23
59	389541	NIVEN #59		2N	15 1/2 E	15, 22, 23
60	389542	NIVEN #60		2N	15 1/2 E	14, 23
61	389543	NIVEN #61		2N	15 1/2 E	14, 23
62	389544	NIVEN #62		2N	15 1/2 E	14, 23
63	389545	NIVEN #63		2N	15 1/2 E	14, 23
64	389546	NIVEN #64		2N	15 1/2 E	14
65	389547	NIVEN #65		2N	15 1/2 E	14
66	389548	NIVEN #66		2N	15 1/2 E	14
67	389549	NIVEN #67		2N	15 1/2 E	14

Form MCF114  
Revised June 2005

This form is available from the Arizona Department of Mines & Mineral Resources and may be reproduced

**SUPPLEMENTAL ATTACHMENT**

May be used with the following forms for listing additional mining claims:

Check One.

- Affidavit of Performance of Annual Work
- Maintenance Fee Payment
- Notice of Intent to Hold Mining Claims
- Notice of Non-Liability for Labor and Materials Furnished

RECEIVED PLM AZ STATE OFFICE 2015 AUG 25 A 10: 00 PHOENIX, ARIZONA	BLM Date Stamp
---	----------------------

LINE NO.	AMC NUMBER	CLAIM/SITE NAME	COUNTY RECORDER DATA (If available)	TWP	RNG	SEC
68	389550	NIVEN #68		2N	15 1/2 E	14
69	389551	NIVEN #69		2N	15 1/2 E	14, 13
70	389552	NIVEN #70		2N	15 1/2 E	14, 13
71	389553	NIVEN #71		2N	15 1/2 E	13
72	389554	NIVEN #72		2N	15 1/2 E	13, 14
73	389555	NIVEN #73		2N	15 1/2 E	13, 14
74	389556	NIVEN #74		2N	15 1/2 E	13, 14
75	389557	NIVEN #75		2N	15 1/2 E	14, 23
76	389558	NIVEN #76		2N	15 1/2 E	14, 23
77	389559	NIVEN #77		2N	15 1/2 E	14, 23
78	389560	NIVEN #78		2N	15 1/2 E	14, 23
79	389561	NIVEN #79		2N	15 1/2 E	23
80	389562	NIVEN #80		2N	15 1/2 E	23
81	389563	NIVEN #81		2N	15 1/2 E	23
82	389564	NIVEN #82		2N	15 1/2 E	23
83	389565	NIVEN #83		2N	15 1/2 E	23, 22
84	389566	NIVEN #84		2N	15 1/2 E	23
85	389567	NIVEN #85		2N	15 1/2 E	23
86	389568	NIVEN #86		2N	15 1/2 E	23

Form MCF114  
Revised June 2005

This form is available from the Arizona Department of Mines & Mineral Resources and may be reproduced

SUPPLEMENTAL ATTACHMENT

May be used with the following forms for listing additional mining claims:

Check One.

- Affidavit of Performance of Annual Work
- Maintenance Fee Payment
- Notice of Intent to Hold Mining Claims
- Notice of Non-Liability for Labor and Materials Furnished

BLM Date Stamp	RECEIVED BLM AZ STATE OFFICE PHOENIX, ARIZONA 2015 AUG 25 A 10:00
----------------------	--

LINE NO.	AMC NUMBER	CLAIM/SITE NAME	COUNTY RECORDER DATA (if available)	TWP	RNG	SEC.
87	389569	NIVEN #87		2N	15 1/2 E	23
88	389570	NIVEN #88		2N	15 1/2 E	23
89	389571	NIVEN #89		2N	15 1/2 E	23
90	389572	NIVEN #90		2N	15 1/2 E	23
91	389573	NIVEN #91		2N	15 1/2 E	23
92	389574	NIVEN #92		2N	15 1/2 E	23, 24
93	389575	NIVEN #93		2N	15 1/2 E	23, 24
94	389576	NIVEN #94		2N	15 1/2 E	13, 24
95	389577	NIVEN #95		2N	15 1/2 E	24
96	389578	NIVEN #96		2N	15 1/2 E	24
97	389579	NIVEN #97		2N	15 1/2 E	24
98	389580	NIVEN #98		2N	15 1/2 E	24, 23
99	389581	NIVEN #99		2N	15 1/2 E	24, 23
100	389582	NIVEN #100		2N	15 1/2 E	23
101	389583	NIVEN #101		2N	15 1/2 E	23
102	389584	NIVEN #102		2N	15 1/2 E	23
103	389585	NIVEN #103		2N	15 1/2 E	23
104	389586	NIVEN #104		2N	15 1/2 E	23
105	389587	NIVEN #105		2N	15 1/2 E	23

Form MCF114  
Revised June 2005

This form is available from the Arizona Department of Mines & Mineral Resources and may be reproduced







**MAINTENANCE FEE PAYMENT**

Claimant Name: Nicholas BARR  
Agent for: Truedaim Resources (US) Inc  
 Address: P.O. Box 6688  
 City: Apache Junction State: AZ Zip: 85178  
 Telephone: 480-241-0436  
 E-mail address: nrbar@aceweb.com  
 Signature: Nicholas Barr

Check here if this is a change of address.

RECEIVED  
 BLM AZ STATE OFFICE  
 2015 AUG 25 A 10: 00  
 PHOENIX, ARIZONA  
 BLM  
 Date  
 Stamp

LINE NO.	AMC NUMBER	CLAIM/SITE NAME	COUNTY RECORDER DATA (If available) <i>Gila</i>	TWP	RNG	SEC
1	4099637	BD <sup>A</sup> 1	2011-006030	2N	15 1/2 E	15, 22
2	409964	BD <sup>A</sup> 2	2011-006031	2N	15 1/2 E	22
3	409965	BD <sup>A</sup> 3	2011-006032	2N	15 1/2 E	15, 22
4	409966	BD <sup>A</sup> 4	2011-006033	2N	15 1/2 E	22
5	409967	BD <sup>A</sup> 5	2011-006034	2N	15 1/2 E	15, 22
6	409968	BD <sup>A</sup> 6	2011-006035	2N	15 1/2 E	22
7						
8						
9						
10						

List additional claims on Form MCF114.

Bureau of Land Management  
 Arizona State Office  
[www.blm.gov](http://www.blm.gov)

No. of Claims: \_\_\_\_\_ x \_\_\_\_\_  
 Check No: \_\_\_\_\_ Init. \_\_\_\_\_  
 Receipt No.: \_\_\_\_\_  
**For BLM Use Only**

Form: MCF112  
 Revised July 2009

**MAINTENANCE FEE PAYMENT**

Agent for:

Claimant Name: NICK BARR Truedaim Resources(US) Inc.

Address: P.O. Box 6688

City: Apache Junction State: AZ Zip: 85178

Telephone: 480-241-0436

E-mail address: nrbarry@aceweb.com

Signature: Nick Barr

Check here if this is a change of address.

RECEIVED BLM AZ STATE OFFICE PHOENIX, ARIZONA 2015 AUG 25 A 10:00	BLM Date Stamp
--	----------------------

LINE NO.	AMC NUMBER	CLAIM/SITE NAME	COUNTY RECORDER DATA (If available)	TWP	RNG	SEC
1	424435	BD #7	2013-009075	2N	15 1/2 E	22
2	424436	BD #8	2013-009076	2N	15 1/2 E	22
3	424437	BD #9	2013-009077	2N	15 1/2 E	22
4	424438	BD #10	2013-009078	2N	15 1/2 E	22
5	424439	BD #11	2013-009079	2N	15 1/2 E	22
6	424440	BD #12	2013-009080	2N	15 1/2 E	22
7	424441	BD #13	2013-009081	2N	15 1/2 E	22,23
8	424442	BD #14	2013-009082	2N	15 1/2 E	23
9	424443	BD #15	2013-009083	2N	15 1/2 E	22
10	424444	BD #16	2013-009084	2N	15 1/2 E	22,23

List additional claims on Form MCF114.

**Bureau of Land Management**  
**Arizona State Office**  
[www.blm.gov/az/](http://www.blm.gov/az/)

No. of Claims: _____ x _____ Check No: _____ Init. _____ Receipt No.: _____ <b>For BLM Use Only</b>
--

Form: MCF112  
 Revised July 2009

This form is available from the **Arizona Department of Mines and Mineral Resources** and may be reproduced.

SUPPLEMENTAL ATTACH. NT

May be used with the following forms for listing additional mining claims:

Check One.

- Affidavit of Performance of Annual Work
- Maintenance Fee Payment
- Notice of Intent to Hold Mining Claims
- Notice of Non-Liability for Labor and Materials Furnished

RECEIVED  
BLM AZ STATE OFFICE  
PHOENIX, ARIZONA  
2015 AUG 25 A 10:00

BLM  
Date  
Stamp

LINE NO.	AMC NUMBER	CLAIM/SITE NAME	COUNTY RECORDER DATA (if available)	TWP	RNG	SEC
11	424445	BD # 17	2013-009085	2N	15 1/2 E	22
12	424446	BD # 18	2013-009086	2N	15 1/2 E	22, 23
13	424447	BD # 19	2013-009087	2N	15 1/2 E	22
14	424448	BD # 20	2013-009088	2N	15 1/2 E	22, 27
15	424449	BD # 21	2013-009089	2N	15 1/2 E	22
16	424450	BD # 22	2013-009090	2N	15 1/2 E	22, 27
17	424451	BD # 23	2013-009091	2N	15 1/2 E	22
18	424452	BD # 24	2013-009092	2N	15 1/2 E	22, 27
19	424453	BD # 25	2013-009093	2N	15 1/2 E	15
20	424454	BD # 26	2013-009094	2N	15 1/2 E	15
21	424455	BD # 27	2013-009095	2N	15 1/2 E	15
22	424456	BD # 28	2013-009096	2N	15 1/2 E	15
23	424457	BD # 29	2013-009097	2N	15 1/2 E	15
24	424458	BD # 30	2013-009098	2N	15 1/2 E	15
25	424459	BD # 31	2013-009099	2N	15 E 15 1/2 E	13 15
26	424460	BD # 32	2013-009100	2N	15 1/2 E	15, 22
27	424461	BD # 33	2013-009101	2N	15 E 15 1/2 E	13 15
28	424462	BD # 34	2013-009102	2N	15 1/2 E	15, 22
29	424463	BD # 35	2013-009103	2N	15 E 15 1/2 E	13 15

Form MCF114  
Revised June 2005

This form is available from the Arizona Department of Mines & Mineral Resources and may be reproduced.

**SUPPLEMENTAL ATTACHMENT T**

May be used with the following forms for listing additional mining claims:  
Check One.

- Affidavit of Performance of Annual Work
- Maintenance Fee Payment
- Notice of Intent to Hold Mining Claims
- Notice of Non-Liability for Labor and Materials Furnished

RECEIVED  
BLM AZ STATE OFFICE  
2015 AUG 25 AM 10:00  
PHOENIX, ARIZONA  
BLM  
Date  
Stamp

LINE NO.	AMC NUMBER	CLAIM/SITE NAME	COUNTY RECORDER DATA (If available)	TWP	RNG	SEC
30	424464	BD #36	2013-009104	2N	15E 15 1/2 E	13, 29 15, 22

**Form MCF114**  
Revised June 2005

This form is available from the Arizona Department of Mines & Mineral Resources and may be reproduced.

**United States Department of the Interior**  
**Bureau of Land Management**  
 LANDS/RECREATION & PLANNING  
 ONE N CENTRAL AVE  
 PHOENIX, AZ 85004 -2203  
 Phone: 602-417-9200

Receipt

No: 3376011

<b>Transaction #:</b> 3474245	
<b>Date of Transaction:</b> 08/25/2015	
CUSTOMER:	
BLACK DIAMOND EXPLORATION INC PO BOX 1028 CLAYPOOL, AZ 85532-1028 US	

LINE #	QTY	DESCRIPTION	REMARKS	UNIT PRICE	TOTAL
1	1.00	LOCATABLE MINERALS / MINING CLAIMS- NOT NEW-UNADJUD, ONE AUTH NO. ONLY / MINING CLAIM MONEY RECEIVED <b>CASES: AMC389463/\$27900.00</b>	MAINT 2016/180	- n/a -	27900.00
<b>TOTAL:</b>					<b>\$27,900.00</b>

PAYMENT INFORMATION					
1	AMOUNT:	27900.00	POSTMARKED:	N/A	
	TYPE:	CHECK	RECEIVED:	08/25/2015	
	CHECK NO:	3650005947			
	NAME:	BLACK DIAMOND EXPLORATION INC PO BOX 1028 CLAYPOOL AZ 85532-1028 US			

REMARKS

This receipt was generated by the automated BLM Collections and Billing System and is a paper representation of a portion of the official electronic record contained therein.

A rectangular stamp area containing a handwritten signature that appears to be "R. Am".

389463  
 407488  
 409963  
 410195  
 424435

**MAINTENANCE FEE PAYMENT** Agent for:

Claimant Name: NICK BARR Trueclaim Resources (us) Inc  
 Address: P.O. Box 6688  
 City: Apache Junction State: AZ Zip: 85178  
 Telephone: 480-241-0436  
 E-mail address: nr.barr@aceweb.com  
 Signature: Nick Barr

Check here if this is a change of address.

RECEIVED  
 BLM AZ STATE OFFICE  
 PHOENIX, ARIZONA  
 2014 AUG 29 A 9:36  
 BLM  
 Date  
 Stamp

LINE NO.	AMC NUMBER	CLAIM/SITE NAME	COUNTY RECORDER DATA (If available)	TWP	RNG	SEC
1	410195	ESM #1		2N	15 1/2 E	3
2	410196	ESM #2		2N	15 1/2 E	3
3	410197	ESM #3		2N	15 1/2 E	3
4	410198	ESM #4		2N	15 1/2 E	3
5	410199	ESM #5		2N	15 1/2 E	3
6	410200	ESM #6		2N	15 1/2 E	3
7	410201	ESM #7		2N	15 1/2 E	3
8	410202	ESM #8		2N	15 1/2 E	3
9	410203	ESM #9		2N	15 1/2 E	3
10	410204	ESM #10		2N	15 1/2 E	3

List additional claims on Form MCF114.

Bureau of Land Management  
 Arizona State Office  
 www.blm.gov/az/

ENTERED  
 SEP 02 2014  
 BY: PB

No. of Claims: 180 x 27,900  
 Check No.: 753696  
 Receipt No.: 3116881  
 For BLM Use Only

Form: MCF112  
 Revised July 2009

This form is available from the Arizona Department of Mines and Mineral Resources and may be reproduced:

**SUPPLEMENTAL ATTACHMENT**

May be used with the following forms for listing additional mining claims:

Check One.

- Affidavit of Performance of Annual Work
- Maintenance Fee Payment
- Notice of Intent to Hold Mining Claims
- Notice of Non-Liability for Labor and Materials Furnished

RECEIVED  
BLM AZ STATE OFFICE  
2014 AUG 29 A 9:33  
PHOENIX, ARIZONA

BLM  
Date  
Stamp

LINE NO.	AMC NUMBER	CLAIM/SITE NAME	COUNTY RECORDER DATA (If available)	TWP	RNG	SEC
11	410205	ESM #11		2N	15 1/2 E	3
12	410206	ESM #12		2N	15 1/2 E	3
13	410207	ESM #13		2N	15 1/2 E	3
14	410208	ESM #14		2N	15 E	1
15	410209	ESM #15		2N	15 1/2 E	3
16	410210	ESM #16		2N	15 1/2 E	3

Form MCF114  
Revised June 2005

This form is available from the Arizona Department of Mines & Mineral Resources and may be reproduced

**MAINTENANCE FEE PAYMENT**

Nicholas BARR

Claimant Name: Agent for: Truedaim Resources (us) Inc

Address: P.O. Box 6688

City: Apache Junction State: AZ Zip: 85178

Telephone: 480-241-0436

E-mail address: nbarr@aceweb.com

Signature: Nick Barr

Check here if this is a change of address.

RECEIVED  
 BLM AZ STATE OFFICE  
 2014 AUG 29 A 9:37  
 PHOENIX, ARIZONA  
 BLM  
 Date  
 Stamp

LINE NO.	AMC NUMBER	CLAIM/SITE NAME	COUNTY RECORDER DATA (if available) Gila	TWP	RNG	SEC
1	409963	BD #1	2011-006030	2N	15 1/2 E	15, 22
2	409964	BD #2	2011-006031	2N	15 1/2 E	22
3	409965	BD #3	2011-006032	2N	15 1/2 E	15, 22
4	409966	BD #4	2011-006033	2N	15 1/2 E	22
5	409967	BD #5	2011-006034	2N	15 1/2 E	15, 22
6	409968	BD #6	2011-006035	2N	15 1/2 E	22
7						
8	ENTERED INTO COMPUTER					
9						
10						

List additional claims on Form MCF114.

Bureau of Land Management  
 Arizona State Office  
[www.blm.gov](http://www.blm.gov)

No. of Claims: \_\_\_\_\_ x \_\_\_\_\_  
 Check No: \_\_\_\_\_ Init. \_\_\_\_\_  
 Receipt No.: \_\_\_\_\_  
 For BLM Use Only



**MAINTENANCE FEE PAYMENT**

Agent for:

Claimant Name: Nick BARR Truedaim Resources(US) Inc.

Address: P.O. Box 6688

City: Apache Junction State: AZ Zip: 85178

Telephone: 480-241-0436

E-mail address: Nrbarr@aceweb.com

Signature: Nick Barr

Check here if this is a change of address.

RECEIVED	BLM AZ STATE OFFICE	PHOENIX, ARIZONA	2011 AUG 29 A 9:37
BLM Date Stamp			

LINE NO.	AMC NUMBER	CLAIM/SITE NAME	COUNTY RECORDER DATA (if available)	TWP	RNG	SEC
1	424435	BD #7	2013-009075	2N	15 1/2 E	22
2	424436	BD #8	2013-009076	2N	15 1/2 E	22
3	424437	BD #9	2013-009077	2N	15 1/2 E	22
4	424438	BD #10	2013-009078	2N	15 1/2 E	22
5	424439	BD #11	2013-009079	2N	15 1/2 E	22
6	424440	BD #12	2013-009080	2N	15 1/2 E	22
7	424441	BD #13	2013-009081	2N	15 1/2 E	22,23
8	424442	BD #14	2013-009082	2N	15 1/2 E	23
9	424443	BD #15	2013-009083	2N	15 1/2 E	22
10	424444	BD #16	2013-009084	2N	15 1/2 E	22,23

List additional claims on Form MCF114.

No. of Claims: _____ x _____
Check No: _____ Init. _____
Receipt No.: _____
<b>For BLM Use Only</b>

Bureau of Land Management  
Arizona State Office  
www.blm.gov/az/

Form: MCF112  
Revised July 2009

This form is available from the Arizona Department of Mines and Mineral Resources and may be reproduced!

SUPPLEMENTAL ATTACHMENT

May be used with the following forms for listing additional mining claims:

Check One.

- Affidavit of Performance of Annual Work
- Maintenance Fee Payment
- Notice of Intent to Hold Mining Claims
- Notice of Non-Liability for Labor and Materials Furnished

RECEIVED  
BLM AZ STATE OFFICE  
PHOENIX, ARIZONA  
2014 AUG 29  
BLM  
Date Stamp

LINE NO.	AMC NUMBER	CLAIM/SITE NAME	COUNTY RECORDER DATA (if available)	TWP	RNG	SEC
11	424445	BD # 17	2013-009085	2N	15 1/2 E	22
12	424446	BD # 18	2013-009086	2N	15 1/2 E	22, 23
13	424447	BD # 19	2013-009087	2N	15 1/2 E	22
14	424448	BD # 20	2013-009088	2N	15 1/2 E	22, 27
15	424449	BD # 21	2013-009089	2N	15 1/2 E	22
16	424450	BD # 22	2013-009090	2N	15 1/2 E	22, 27
17	424451	BD # 23	2013-009091	2N	15 1/2 E	22
18	424452	BD # 24	2013-009092	2N	15 1/2 E	22, 27
19	424453	BD # 25	2013-009093	2N	15 1/2 E	15
20	424454	BD # 26	2013-009094	2N	15 1/2 E	15
21	424455	BD # 27	2013-009095	2N	15 1/2 E	15
22	424456	BD # 28	2013-009096	2N	15 1/2 E	15
23	424457	BD # 29	2013-009097	2N	15 1/2 E	15
24	424458	BD # 30	2013-009098	2N	15 1/2 E	15
25	424459	BD # 31	2013-009099	2N	15 E 15 1/2 E	13 15
26	424460	BD # 32	2013-009100	2N	15 1/2 E	15, 22
27	424461	BD # 33	2013-009101	2N	15 E 15 1/2 E	13 15
28	424462	BD # 34	2013-009102	2N	15 1/2 E	15, 22
29	424463	BD # 35	2013-009103	2N	15 E 15 1/2 E	13 15

Form MCF114  
Revised June 2005

This form is available from the Arizona Department of Mines & Mineral Resources and may be reproduced.

SUPPLEMENTAL ATTACH T

May be used with the following forms for listing additional mining claims:

Check One.

- Affidavit of Performance of Annual Work
- Maintenance Fee Payment
- Notice of Intent to Hold Mining Claims
- Notice of Non-Liability for Labor and Materials Furnished

RECEIVED  
BLM AZ STATE OFFICE  
PHOENIX, ARIZONA  
2014 AUG 29 A 8:31 PM  
BLM  
Date Stamp

LINE NO.	AMC NUMBER	CLAIM/SITE NAME	COUNTY RECORDER DATA (If available)	TWP	RNG	SEC
30	424464	BD #36	2013-009104	2N	15E 15 1/2 E	13, 24 15, 22

Form MCF114  
Revised June 2005

This form is available from the Arizona Department of Mines & Mineral Resources and may be reproduced.

**MAINTENANCE FEE PAYMENT**

Claimant Name: BLACK DIAMOND EXPLORATION, INC

Address: P.O. Box 1028

City: CLAYPOOL State: AZ Zip: 85532

Telephone: (928) 425-3383

E-mail address: ron@blackdiamondexpl.com

Signature: William R. Murphy

Check here if this is a change of address.

RECEIVED  
 U.S. ARIZONA STATE OFFICE  
 PHOENIX, ARIZONA  
 2014 AUG 29 A 9:37  
 BLM Date Stamp

LINE NO.	AMC NUMBER	CLAIM/SITE NAME	COUNTY RECORDER DATA (If available)	TWP	RNG	SEC
1	389463	Mc Morris #1		2N	15 1/2 E	3, 10
2	389464	Mc Morris #2		2N	15 1/2 E	3, 10
3	389465	Mc Morris #3		2N	15 1/2 E	3, 10
4	389466	Mc Morris #4		2N	15 1/2 E	3, 10
5	389467	Mc Morris #5		2N	15 1/2 E	3, 10
6	389468	Mc Morris #6		2N	15 1/2 E	10
7	389469	Mc Morris #7		2N	15 1/2 E	10
8	389470	Mc Morris #8		2N	15 1/2 E	10
9	389471	Mc Morris #9		2N	15 1/2 E	10
10	389472	Mc Morris #10		2N	15 1/2 E	10, 11

List additional claims on Form MCF114.

Bureau of Land Management  
 Arizona State Office  
 www.blm.gov

No. of Claims: \_\_\_\_\_ x \_\_\_\_\_  
 Check No: \_\_\_\_\_ Init. \_\_\_\_\_  
 Receipt No.: \_\_\_\_\_  
 For BLM Use Only

Form: MCF112  
 Revised July 2009

This form is available from the Arizona Department of Mines and Mineral Resources and may be reproduced.

**SUPPLEMENTAL ATTACHMENT**

May be used with the following forms for listing additional mining claims:

Check One.

- Affidavit of Performance of Annual Work
- Maintenance Fee Payment
- Notice of Intent to Hold Mining Claims
- Notice of Non-Liability for Labor and Materials Furnished

RECEIVED  
 BLM AZ STATE OFFICE  
 PHOENIX, ARIZONA  
 2014 AUG 29 A 9:31  
 BLM  
 Date  
 Stamp

LINE NO.	AMC NUMBER	CLAIM/SITE NAME	COUNTY RECORDER DATA (If available)	TWP	RNG	SEC
11	389473	Mc Morris #11		2N	15 1/2 E	11, 10
12	389474	Mc Morris #12		2N	15 1/2 E	11, 10
13	389475	Mc Morris #13		2N	15 1/2 E	11, 10
14	389476	Mc Morris #14		2N	15 1/2 E	10
15	389477	Mc Morris #15		2N	15 1/2 E	10
16	389478	Mc Morris #16		2N	15 1/2 E	10
17	389479	Mc Morris #17		2N	15 1/2 E	11, 10
18	389480	Mc Morris #18		2N	15 1/2 E	11, 10
19	389481	Mc Morris #19		2N	15 1/2 E	11
20	389482	Mc Morris #20		2N	15 1/2 E	11
21	407488	LA Esmeralda #1		2N	15 1/2 E	3
22	407489	Silver Sevens #1		2N	15 1/2 E	11
23	407490	Silver Sevens #2		2N	15 1/2 E	11

Form MCF114  
Revised June 2005

This form is available from the Arizona Department of Mines & Mineral Resources and may be reproduced

**MAINTENANCE FEE PAYMENT**

Claimant Name: Black Diamond Exploration, Inc.  
 Address: P.O. Box 1028  
 City: Claypool State: AZ Zip: 85532  
 Telephone: 928-425-3383  
 E-mail address: ron@blackdiamondex.com  
 Signature: William A. Murphy  
 Check here if this is a change of address.

RECEIVED  
 M AZ STATE OFFICE  
 2014 AUG 29 A 9:37  
 PHOENIX, ARIZONA  
 BLM  
 Date  
 Stamp

LINE NO.	AMC NUMBER	CLAIM/SITE NAME	COUNTY RECORDER DATA (If available)	TWP	RNG	SEC
1	389483	NIVEN #1		2N	15 1/2 E	10
2	389484	NIVEN #2		2N	15 1/2 E	10
3	389485	NIVEN #3		2N	15 1/2 E	10
4	389486	NIVEN #4		2N	15 E	12
5	389487	NIVEN #5		2N	15 1/2 E	10
6	389488	NIVEN #6		2N	15 E	12
7	389489	NIVEN #7		2N	15 1/2 E	10
8	389490	NIVEN #8		2N	15 E	12
9	389491	NIVEN #9		2N	15 1/2 E	10
10	389492	NIVEN #10		2N	15 1/2 E	10

List additional claims on Form MCF114.

Bureau of Land Management  
 Arizona State Office  
 www.blm.gov

No. of Claims: \_\_\_\_\_ x \_\_\_\_\_  
 Check No: \_\_\_\_\_ Init. \_\_\_\_\_  
 Receipt No.: \_\_\_\_\_  
 For BLM Use Only

SUPPLEMENTAL ATTACHMENT

May be used with the following forms for listing additional mining claims:  
Check One.

- Affidavit of Performance of Annual Work
- Maintenance Fee Payment
- Notice of Intent to Hold Mining Claims
- Notice of Non-Liability for Labor and Materials Furnished

RECEIVED  
 PLM AZ STATE OFFICE  
 2014 AUG 29 A 9:37  
 PHOENIX, ARIZONA  
 BLM  
 Date  
 Stamp

LINE NO.	AMC NUMBER	CLAIM/SITE NAME	COUNTY RECORDER DATA (If available)	TWP	RNG	SEC
11	389493	NIVEN #11		2N	15 1/2 E	10
12	389494	NIVEN #12		2N	15 1/2 E	10
13	389495	NIVEN #13		2N	15 1/2 E	10
14	389496	NIVEN #14		2N	15 1/2 E	10
15	389497	NIVEN #15		2N	15 1/2 E	10
16	389498	NIVEN #16		2N	15 1/2 E	10
17	389499	NIVEN #17		2N	15 1/2 E	10,15
18	389500	NIVEN #18		2N	15 1/2 E	10,15
19	389501	NIVEN #19		2N	15 1/2 E	15
20	389502	NIVEN #20		2N	15 1/2 E	15
21	389503	NIVEN #21		2N	15 1/2 E	10,15
22	389504	NIVEN #22		2N	15 1/2 E	10,15
23	389505	NIVEN #23		2N	15 1/2 E	10,15
24	389506	NIVEN #24		2N	15 1/2 E	10,15
25	389507	NIVEN #25		2N	15 1/2 E	11,14
26	389508	NIVEN #26		2N	15 1/2 E	11,14
27	389509	NIVEN #27		2N	15 1/2 E	11,14
28	389510	NIVEN #28		2N	15 1/2 E	11,14
29	389511	NIVEN #29		2N	15 1/2 E	10,11

Form MCF114  
Revised June 2005

This form is available from the Arizona Department of Mines & Mineral Resources and may be reproduced

SUPPLEMENTAL ATTACHMENT

May be used with the following forms for listing additional mining claims:

Check One.

- Affidavit of Performance of Annual Work
- Maintenance Fee Payment
- Notice of Intent to Hold Mining Claims
- Notice of Non-Liability for Labor and Materials Furnished

RECEIVED  
M AZ STATE OFFICE

2014 AUG 29 A 9 31  
PHOENIX, ARIZONA

BLM  
Date  
Stamp

LINE NO.	AMC NUMBER	CLAIM/SITE NAME	COUNTY RECORDER DATA (if available)	TWP	RNG	SEC
30	389512	NIVEN #30		2N	15 1/2 E	14
31	389513	NIVEN #31		2N	15 1/2 E	15
32	389514	NIVEN #32		2N	15 1/2 E	15
33	389515	NIVEN #33		2N	15 1/2 E	15
34	389516	NIVEN #34		2N	15 1/2 E	15
35	389517	NIVEN #35		2N	15 1/2 E	15
36	389518	NIVEN #36		2N	15 1/2 E	15
37	389519	NIVEN #37		2N	15 1/2 E	15
38	389520	NIVEN #38		2N	15 1/2 E	15
39	389521	NIVEN #39		2N	15 1/2 E	14, 15
40	389522	NIVEN #40		2N	16 1/2 E	14, 15
41	389523	NIVEN #41		2N	15 1/2 E	14, 15
42	389524	NIVEN #42		2N	15 1/2 E	14
43	389525	NIVEN #43		2N	15 1/2 E	14
44	389526	NIVEN #44		2N	15 1/2 E	14
45	389527	NIVEN #45		2N	15 1/2 E	14
46	389528	NIVEN #46		2N	15 1/2 E	14, 11
47	389529	NIVEN #47		2N	15 1/2 E	14
48	389530	NIVEN #48		2N	15 1/2 E	14

Form MCF114  
Revised June 2005

This form is available from the Arizona Department of Mines & Mineral Resources and may be reproduced



**SUPPLEMENTAL ATTACHMENT**

May be used with the following forms for listing additional mining claims:

Check One.

- Affidavit of Performance of Annual Work
- Maintenance Fee Payment
- Notice of Intent to Hold Mining Claims
- Notice of Non-Liability for Labor and Materials Furnished

RECEIVED  
 MARIZ STATE OFFICE  
 2014 AUG 29 A 9:31  
 PHOENIX, ARIZONA

BLM  
 Date  
 Stamp

LINE NO.	AMC NUMBER	CLAIM/SITE NAME	COUNTY RECORDER DATA (if available)	TWP	RNG	SEC
49	389531	NIVEN #49		2N	15 1/2 E	14
50	389532	NIVEN #50		2N	15 1/2 E	14
51	389533	NIVEN #51		2N	15 1/2 E	14
52	389534	NIVEN #52		2N	15 1/2 E	14
53	389535	NIVEN #53		2N	15 1/2 E	14
54	389536	NIVEN #54		2N	15 1/2 E	14, 15
55	389537	NIVEN #55		2N	15 1/2 E	14, 15
56	389538	NIVEN #56		2N	15 1/2 E	15
57	389539	NIVEN #57		2N	15 1/2 E	15, 22
58	389540	NIVEN #58		2N	15 1/2 E	22, 23
59	389541	NIVEN #59		2N	15 1/2 E	15, 22, 23
60	389542	NIVEN #60		2N	15 1/2 E	14, 23
61	389543	NIVEN #61		2N	15 1/2 E	14, 23
62	389544	NIVEN #62		2N	15 1/2 E	14, 23
63	389545	NIVEN #63		2N	15 1/2 E	14, 23
64	389546	NIVEN #64		2N	15 1/2 E	14
65	389547	NIVEN #65		2N	15 1/2 E	14
66	389548	NIVEN #66		2N	15 1/2 E	14
67	389549	NIVEN #67		2N	15 1/2 E	14

Form MCF114  
 Revised June 2005

This form is available from the Arizona Department of Mines & Mineral Resources and may be reproduced

SUPPLEMENTAL ATTACHMENT

May be used with the following forms for listing additional mining claims:

Check One.

- Affidavit of Performance of Annual Work
- Maintenance Fee Payment
- Notice of Intent to Hold Mining Claims
- Notice of Non-Liability for Labor and Materials Furnished

RECEIVED  
M AZ STATE OFFICE

PHOENIX, ARIZONA

2014 AUG 29 A 9:31

BLM  
Date  
Stamp

LINE NO.	AMC NUMBER	CLAIM/SITE NAME	COUNTY RECORDER DATA (if available)	TWP	RNG	SEC
68	389550	NIVEN #68		2N	15 1/2 E	14
69	389551	NIVEN #69		2N	15 1/2 E	14, 13
70	389552	NIVEN #70		2N	15 1/2 E	14, 13
71	389553	NIVEN #71		2N	15 1/2 E	13
72	389554	NIVEN #72		2N	15 1/2 E	13, 14
73	389555	NIVEN #73		2N	15 1/2 E	13, 14
74	389556	NIVEN #74		2N	15 1/2 E	13, 14 <sup>23</sup>
75	389557	NIVEN #75		2N	15 1/2 E	14, 23
76	389558	NIVEN #76		2N	15 1/2 E	14, 23
77	389559	NIVEN #77		2N	15 1/2 E	14, 23
78	389560	NIVEN #78		2N	15 1/2 E	14, 23
79	389561	NIVEN #79		2N	15 1/2 E	23
80	389562	NIVEN #80		2N	15 1/2 E	23
81	389563	NIVEN #81		2N	15 1/2 E	23
82	389564	NIVEN #82		2N	15 1/2 E	23
83	389565	NIVEN #83		2N	15 1/2 E	23, 22
84	389566	NIVEN #84		2N	15 1/2 E	23
85	389567	NIVEN #85		2N	15 1/2 E	23
86	389568	NIVEN #86		2N	15 1/2 E	23

Form MCF114  
Revised June 2005

This form is available from the Arizona Department of Mines & Mineral Resources and may be reproduced

**SUPPLEMENTAL ATTACHMENT**

May be used with the following forms for listing additional mining claims:

Check One.

- Affidavit of Performance of Annual Work
- Maintenance Fee Payment
- Notice of Intent to Hold Mining Claims
- Notice of Non-Liability for Labor and Materials Furnished

RECEIVED  
 UTAH STATE OFFICE  
 PHOENIX, ARIZONA  
 2014 AUG 29 A 9:37  
 BLM  
 Date  
 Stamp

LINE NO.	AMC NUMBER	CLAIM/SITE NAME	COUNTY RECORDER DATA (If available)	TWP	RNG	SE
87	389569	NIVEN #87		2N	15 1/2 E	23
88	389570	NIVEN #88		2N	15 1/2 E	23
89	389571	NIVEN #89		2N	15 1/2 E	23
90	389572	NIVEN #90		2N	15 1/2 E	23
91	389573	NIVEN #91		2N	15 1/2 E	23
92	389574	NIVEN #92		2N	15 1/2 E	23, 24
93	389575	NIVEN #93		2N	15 1/2 E	23, 24
94	389576	NIVEN #94		2N	15 1/2 E	13, 24
95	389577	NIVEN #95		2N	15 1/2 E	24
96	389578	NIVEN #96		2N	15 1/2 E	24
97	389579	NIVEN #97		2N	15 1/2 E	24
98	389580	NIVEN #98		2N	15 1/2 E	24, 23
99	389581	NIVEN #99		2N	15 1/2 E	24, 23
100	389582	NIVEN #100		2N	15 1/2 E	23
101	389583	NIVEN #101		2N	15 1/2 E	23
102	389584	NIVEN #102		2N	15 1/2 E	23
103	389585	NIVEN #103		2N	15 1/2 E	23
104	389586	NIVEN #104		2N	15 1/2 E	23
105	389587	NIVEN #105		2N	15 1/2 E	23

Form MCF114  
 Revised June 2005

This form is available from the Arizona Department of Mines & Mineral Resources and may be reproduced

**United States Department of the Interior  
Bureau of Land Management  
LANDS/RECREATION & PLANNING  
ONE N CENTRAL AVE  
PHOENIX, AZ 85004 -2203  
Phone: 602-417-9200**

Receipt

No: 3116881

<b>Transaction #:</b> 3208638		<b>ENTERED INTO COMPUTER</b>
<b>Date of Transaction:</b> 08/29/2014		
CUSTOMER:		SEP - 2 2014 <i>fb</i>
BLACK DIAMOND EXPLORATION PO BOX 1028 CLAYPOOL, AZ 85532-1028 US		

LINE #	QTY	DESCRIPTION	REMARKS	UNIT PRICE	TOTAL
1	1.00	LOCATABLE MINERALS / MINING CLAIMS- NOT NEW-UNADJUD, ONE AUTH NO. ONLY / MINING CLAIM MONEY RECEIVED CASES: AMC410195/\$27900.00	MAINT 2015/180 ✓	- n/a -	27900.00
<b>TOTAL:</b>					<b>\$27,900.00</b>

PAYMENT INFORMATION			
1.	AMOUNT:	27900.00	POSTMARKED: N/A
	TYPE:	CHECK	RECEIVED: 08/29/2014
	CHECK NO:	753696	
	NAME:	BAR, NICHOLAS 5441 E MINING CAMP ST APACHE JUNCTION AZ 85119 US	

REMARKS

This receipt was generated by the automated BLM Collections and Billing System and is a paper representation of a portion of the official electronic record contained therein.

Amc 410195  
 389463  
 407488  
 409963  
 424435

**MAINTENANCE FEE PAYMENT** Agent for:

Claimant Name: NICK BARR Trueclaim Resources (us) Inc  
 Address: P. O. Box 6688  
 City: Apache Junction State: AZ Zip: 85178  
 Telephone: 480-241-0436  
 E-mail address: nrbarr@aceweb.com  
 Signature: Nick Barr

Check here if this is a change of address.

RECEIVED  
 BLM AZ STATE OFFICE  
 PHOENIX, ARIZONA  
 2013 AUG 22 A 11:39  
 BLM Date Stamp

LINE NO.	AMC NUMBER	CLAIM/SITE NAME	COUNTY RECORDER DATA (if available)	TWP	RNG	SEC
1	410195	ESM #1		2N	15 1/2 E	3
2	410196	ESM #2		2N	15 1/2 E	3
3	410197	ESM #3		2N	15 1/2 E	3
4	410198	ESM #4		2N	15 1/2 E	3
5	410199	ESM #5		2N	15 1/2 E	3
6	410200	ESM #6		2N	15 1/2 E	3
7	410201	ESM #7		2N	15 1/2 E	3
8	410202	ESM #8		2N	15 1/2 E	3
9	410203	ESM #9		2N	15 1/2 E	3
10	410204	ESM #10		2N	15 1/2 E	3

List additional claims on Form MCF114.

Bureau of Land Management  
 Arizona State Office  
 www.blm.gov/az/

No. of Claims: 180 x \$140 = 25,200  
 Check No: 60723205 Init. MLC  
 Receipt No.: 2862148  
 For BLM Use Only

Form: MCF112  
 Revised July 2009

This form is available from the Arizona Department of Mines and Mineral Resources and may be reproduced.

ENTERED  
 AUG 22 2013  
 BY: TS

**SUPPLEMENTAL ATTACHMENT**

May be used with the following forms for listing additional mining claims:

Check One.

- Affidavit of Performance of Annual Work
- Maintenance Fee Payment
- Notice of Intent to Hold Mining Claims
- Notice of Non-Liability for Labor and Materials Furnished

BLM Date Stamp	RECEIVED BLM AZ STATE OFFICE 2013 AUG 22 A 11: 39 PHOENIX, ARIZONA
----------------------	---

LINE NO.	AMC NUMBER	CLAIM/SITE NAME	COUNTY RECORDER DATA (If available)	TWP	RNG	SEC
11	410205	ESM #11		2N	15 1/2 E	3
12	410206	ESM #12		2N	15 1/2 E	3
13	410207	ESM #13		2N 2N	15 1/2 E 15 E	3 1
14	410208	ESM #14		2N	15 1/2 E	3
15	410209	ESM #15		2N	15 1/2 E	3
16	410210	ESM #16		2N	15 1/2 E	3

**MAINTENANCE FEE PAYMENT**

Claimant Name: Black Diamond Exploration, Inc.  
 Address: P.O. Box 1028  
 City: Claypool State: AZ Zip: 85532  
 Telephone: 928-425-3383  
 E-mail address: ron@blackdiamondex.com  
 Signature: [Handwritten Signature]

Check here if this is a change of address.

RECEIVED  
 BLM AZ STATE OFFICE  
 2013 AUG 22 A 11:39  
 PHOENIX, ARIZONA  
 BLM  
 Date  
 Stamp

LINE NO.	AMC NUMBER	CLAIM/SITE NAME	COUNTY RECORDER DATA (If available)	TWP	RNG	SEC
1	389483	NIVEN #1				
2	389484	NIVEN #2		2N	15 1/2 E	10
3	389485	NIVEN #3		2N	15 1/2 E	10
4	389486	NIVEN #4		2N	15 1/2 E	10
5	389487	NIVEN #5		2N	15 E	12
6	389488	NIVEN #6		2N	15 1/2 E	10
7	389489	NIVEN #7		2N	15 E	12
8	389490	NIVEN #8		2N	15 1/2 E	10
9	389491	NIVEN #9		2N	15 1/2 E	10
10	389492	NIVEN #10		2N	15 1/2 E	10

List additional claims on Form MCF114.

No. of Claims: \_\_\_\_\_ x \$140 = \_\_\_\_\_  
 Check No: \_\_\_\_\_ Init. \_\_\_\_\_  
 Receipt No.: \_\_\_\_\_  
 For BLM Use Only

Bureau of Land Management  
 Arizona State Office  
 www.blm.gov

Form: MCF112  
 Revised July 2009

**SUPPLEMENTAL ATTACHMENT**

May be used with the following forms for listing additional mining claims:

Check One.

- Affidavit of Performance of Annual Work
- Maintenance Fee Payment
- Notice of Intent to Hold Mining Claims
- Notice of Non-Liability for Labor and Materials Furnished

RECEIVED  
BLM STATE OFFICE  
2013 AUG 22 A 11:39  
PHOENIX, ARIZONA

BLM  
Date  
Stamp

LINE NO.	AMC NUMBER	CLAIM/SITE NAME	COUNTY RECORDER DATA (If available)	TWP	RNG	SEC
11	389493	NIVEN #11		2N	15 1/2 E	10
12	389494	NIVEN #12		2N	15 1/2 E	10
13	389495	NIVEN #13		2N	15 1/2 E	10
14	389496	NIVEN #14		2N	15 1/2 E	10
15	389497	NIVEN #15		2N	15 1/2 E	10
16	389498	NIVEN #16		2N	15 1/2 E	10
17	389499	NIVEN #17		2N	15 1/2 E	10, 15
18	389500	NIVEN #18		2N	15 1/2 E	10, 15
19	389501	NIVEN #19		2N	15 1/2 E	15
20	389502	NIVEN #20		2N	15 1/2 E	15
21	389503	NIVEN #21		2N	15 1/2 E	10, 15
22	389504	NIVEN #22		2N	15 1/2 E	10, 15
23	389505	NIVEN #23		2N	15 1/2 E	10, 15
24	389506	NIVEN #24		2N	15 1/2 E	10, 15
25	389507	NIVEN #25		2N	15 1/2 E	11, 14
26	389508	NIVEN #26		2N	15 1/2 E	11, 14
27	389509	NIVEN #27		2N	15 1/2 E	11, 14
28	389510	NIVEN #28		2N	15 1/2 E	11, 14
29	389511	NIVEN #29		2N	15 1/2 E	10, 11, 15, 14

Form MCF114  
Revised June 2005



**SUPPLEMENTAL ATTACHMENT**

May be used with the following forms for listing additional mining claims:

Check One.

- Affidavit of Performance of Annual Work
- Maintenance Fee Payment
- Notice of Intent to Hold Mining Claims
- Notice of Non-Liability for Labor and Materials Furnished

RECEIVED  
 ARIZONA STATE OFFICE  
 2013 AUG 22 A 11:39  
 PHOENIX, ARIZONA  
 BLM  
 Date  
 Stamp

LINE NO.	AMC NUMBER	CLAIM/SITE NAME	COUNTY RECORDER DATA (if available)	TWP	RNG	SEC
30	389512	NIVEN #30		2N	15 1/2 E	14
31	389513	NIVEN #31		2N	15 1/2 E	15
32	389514	NIVEN #32		2N	15 1/2 E	15
33	389515	NIVEN #33		2N	15 1/2 E	15
34	389516	NIVEN #34		2N	15 1/2 E	15
35	389517	NIVEN #35		2N	15 1/2 E	15
36	389518	NIVEN #36		2N	15 1/2 E	15
37	389519	NIVEN #37		2N	15 1/2 E	15
38	389520	NIVEN #38		2N	15 1/2 E	15
39	389521	NIVEN #39		2N	15 1/2 E	15
40	389522	NIVEN #40		2N	15 1/2 E	14, 15
41	389523	NIVEN #41		2N	16 1/2 E	14, 15
42	389524	NIVEN #42		2N	15 1/2 E	14, 15
43	389525	NIVEN #43		2N	15 1/2 E	14
44	389526	NIVEN #44		2N	15 1/2 E	14
45	389527	NIVEN #45		2N	15 1/2 E	14
46	389528	NIVEN #46		2N	15 1/2 E	14
47	389529	NIVEN #47		2N	15 1/2 E	14, 11
48	389530	NIVEN #48		2N	15 1/2 E	14

Form MCF114  
 Revised June 2005

This form is available from the Arizona Department of Mines & Mineral Resources and may be reproduced.

**SUPPLEMENTAL ATTACHMENT**

May be used with the following forms for listing additional mining claims:

Check One.

- Affidavit of Performance of Annual Work
- Maintenance Fee Payment
- Notice of Intent to Hold Mining Claims
- Notice of Non-Liability for Labor and Materials Furnished

RECEIVED  
BLM STATE OFFICE  
PHOENIX, ARIZONA  
2013 AUG 22 A 11:39

BLM  
Date  
Stamp

LINE NO.	AMC NUMBER	CLAIM/SITE NAME	COUNTY RECORDER DATA (If available)	TWP	RNG	SEC
49	389531	NIVEN #49		2N	15 1/2 E	14
50	389532	NIVEN #50		2N	15 1/2 E	14
51	389533	NIVEN #51		2N	15 1/2 E	14
52	389534	NIVEN #52		2N	15 1/2 E	14
53	389535	NIVEN #53		2N	15 1/2 E	14
54	389536	NIVEN #54		2N	15 1/2 E	14, 15
55	389537	NIVEN #55		2N	15 1/2 E	14, 15
56	389538	NIVEN #56		2N	15 1/2 E	15
57	389539	NIVEN #57		2N	15 1/2 E	15, 22
58	389540	NIVEN #58		2N	15 1/2 E	22, 23
59	389541	NIVEN #59		2N	15 1/2 E	15, 23
60	389542	NIVEN #60		2N	15 1/2 E	14, 23
61	389543	NIVEN #61		2N	15 1/2 E	14, 23
62	389544	NIVEN #62		2N	15 1/2 E	14, 23
63	389545	NIVEN #63		2N	15 1/2 E	14, 23
64	389546	NIVEN #64		2N	15 1/2 E	14
65	389547	NIVEN #65		2N	15 1/2 E	14
66	389548	NIVEN #66		2N	15 1/2 E	14
67	389549	NIVEN #67		2N	15 1/2 E	14

Form MCF114  
Revised June 2005

**SUPPLEMENTAL ATTACHMENT**

May be used with the following forms for listing additional mining claims:

Check One.

- Affidavit of Performance of Annual Work
- Maintenance Fee Payment
- Notice of Intent to Hold Mining Claims
- Notice of Non-Liability for Labor and Materials Furnished

RECEIVED  
 ARIZONA STATE OFFICE  
 2013 AUG 22 A 11:39  
 PHOENIX, ARIZONA  
 BLM  
 Date  
 Stamp

LINE NO.	AMC NUMBER	CLAIM/SITE NAME	COUNTY RECORDER DATA (If available)	TWP	RNG	SEC
68	389550	NIVEN #68		2N	15 1/2 E	14
69	389551	NIVEN #69		2N	15 1/2 E	14, 13
70	389552	NIVEN #70		2N	15 1/2 E	14, 13
71	389553	NIVEN #71		2N	15 1/2 E	13
72	389554	NIVEN #72		2N	15 1/2 E	13, 14
73	389555	NIVEN #73		2N	15 1/2 E	13, 14
74	389556	NIVEN #74		2N	15 1/2 E	13, 14
75	389557	NIVEN #75		2N	15 1/2 E	13, 14
76	389558	NIVEN #76		2N	15 1/2 E	14, 23
77	389559	NIVEN #77		2N	15 1/2 E	14, 23
78	389560	NIVEN #78		2N	15 1/2 E	14, 23
79	389561	NIVEN #79		2N	15 1/2 E	14, 23
80	389562	NIVEN #80		2N	15 1/2 E	23
81	389563	NIVEN #81		2N	15 1/2 E	23
82	389564	NIVEN #82		2N	15 1/2 E	23
83	389565	NIVEN #83		2N	15 1/2 E	23
84	389566	NIVEN #84		2N	15 1/2 E	23, 22
85	389567	NIVEN #85		2N	15 1/2 E	23
86	389568	NIVEN #86		2N	15 1/2 E	23

Form MCF114  
 Revised June 2005

This form is available from the Arizona Department of Mines & Mineral Resources and may be reproduced.

**SUPPLEMENTAL ATTACHMENT**

May be used with the following forms for listing additional mining claims:

Check One.

- Affidavit of Performance of Annual Work
- Maintenance Fee Payment
- Notice of Intent to Hold Mining Claims
- Notice of Non-Liability for Labor and Materials Furnished

RECEIVED  
CLIMATE SERVICE DIVISION  
2013 AUG 22 A 11:39  
PHOENIX, ARIZONA

BLM  
Date  
Stamp

LINE NO.	AMC NUMBER	CLAIM/SITE NAME	COUNTY RECORDER DATA (If available)	TWP	RNG	SEC
87	389569	NIVEN #87		2N	15 1/2 E	23
88	389570	NIVEN #88		2N	15 1/2 E	23
89	389571	NIVEN #89		2N	15 1/2 E	23
90	389572	NIVEN #90		2N	15 1/2 E	23
91	389573	NIVEN #91		2N	15 1/2 E	23
92	389574	NIVEN #92		2N	15 1/2 E	23, 24
93	389575	NIVEN #93		2N	15 1/2 E	23, 24
94	389576	NIVEN #94		2N	15 1/2 E	13, 24
95	389577	NIVEN #95		2N	15 1/2 E	24
96	389578	NIVEN #96		2N	15 1/2 E	24
97	389579	NIVEN #97		2N	15 1/2 E	24
98	389580	NIVEN #98		2N	15 1/2 E	24, 23
99	389581	NIVEN #99		2N	15 1/2 E	24, 23
100	389582	NIVEN #100		2N	15 1/2 E	23
101	389583	NIVEN #101		2N	15 1/2 E	23
102	389584	NIVEN #102		2N	15 1/2 E	23
103	389585	NIVEN #103		2N	15 1/2 E	23
104	389586	NIVEN #104		2N	15 1/2 E	23
105	389587	NIVEN #105		2N	15 1/2 E	23

Form MCF114  
Revised June 2005

**MAINTENANCE FEE PAYMENT**

Claimant Name: BLACK DIAMOND EXPLORATION, INC

Address: P.O. Box 1028

City: CLAYPOOL State: AZ Zip: 85532

Telephone: (928) 425-3383

E-mail address: ron@blackdiamondexpl.com

Signature: R. Murphy

Check here if this is a change of address.

RECEIVED  
 ALM AZ STATE OFFICE  
 2013 AUG 22 A 11:40  
 PHOENIX, ARIZONA  
 BLM  
 Date  
 Stamp

LINE NO.	AMC NUMBER	CLAIM/SITE NAME	COUNTY RECORDER DATA (If available)	TWP	RNG	SEC
1	389463	Mc Morris #1				
2	389464	Mc Morris #2		2N	15 1/2 E	3, 10
3	389465	Mc Morris #3		2N	15 1/2 E	3, 10
4	389466	Mc Morris #4		2N	15 1/2 E	3, 10
5	389467	Mc Morris #5		2N	15 1/2 E	3, 10
6	389468	Mc Morris #6		2N	15 1/2 E	10
7	389469	Mc Morris #7		2N	15 1/2 E	10
8	389470	Mc Morris #8		2N	15 1/2 E	10
9	389471	Mc Morris #9		2N	15 1/2 E	10
10	389472	Mc Morris #10		2N	15 1/2 E	10, 11

List additional claims on Form MCF114.

No. of Claims: \_\_\_\_\_ x \$140 = \_\_\_\_\_

Check No: \_\_\_\_\_ Init. \_\_\_\_\_

Receipt No.: \_\_\_\_\_

**For BLM Use Only**

Bureau of Land Management  
 Arizona State Office  
[www.blm.gov](http://www.blm.gov)

Form: MCF112  
 Revised July 2009  
 and may be reproduced.

This form is available from the Arizona Department of Mines and Mineral Resources

**SUPPLEMENTAL ATTACHMENT**

May be used with the following forms for listing additional mining claims:

Check One.

- Affidavit of Performance of Annual Work
- Maintenance Fee Payment
- Notice of Intent to Hold Mining Claims
- Notice of Non-Liability for Labor and Materials Furnished

BLM Date Stamp	2013 AUG 22 A 11:40	PHOENIX, ARIZONA	RECEIVED BLM AZ STATE OFFICE
----------------------	---------------------	------------------	---------------------------------

LINE NO.	AMC NUMBER	CLAIM/SITE NAME	COUNTY RECORDER DATA (If available)	TWP	RNG	SEC
11	389473	Mc Morris #11		2N	15 1/2 E	11, 10
12	389474	Mc Morris #12		2N	15 1/2 E	11, 10
13	389475	Mc Morris #13		2N	15 1/2 E	11, 10
14	389476	Mc Morris #14		2N	15 1/2 E	10
15	389477	Mc Morris #15		2N	15 1/2 E	10
16	389478	Mc Morris #16		2N	15 1/2 E	10
17	389479	Mc Morris #17		2N	15 1/2 E	11, 10
18	389480	Mc Morris #18		2N	15 1/2 E	11, 10
19	389481	Mc Morris #19		2N	15 1/2 E	11
20	389482	Mc Morris #20		2N	15 1/2 E	11
21	407488	LA Esmeralda #1		2N	15 1/2 E	3
22	407489	Silver Sevens #1		2N	15 1/2 E	11
23	407490	Silver Sevens #2		2N	15 1/2 E	11

Form MCF114  
Revised June 2005

**MAINTENANCE FEE PAYMENT**

*Nicholas BARR*

Claimant Name: Agent for: Truedaim Resources (US) Inc

Address: P.O. Box 6688

City: Apache Junction State: AZ Zip: 85178

Telephone: 480-241-0436

E-mail address: nrbar@aceweb.com

Signature: Nick Barr

Check here if this is a change of address.

RECEIVED  
BLM AZ STATE OFFICE  
2013 AUG 22 A 11:10  
PHOENIX, ARIZONA

BLM  
Date  
Stamp

LINE NO.	AMC NUMBER	CLAIM/SITE NAME	COUNTY RECORDER DATA (if available)	TWP	RNG	SEC
1	409963	BD <sup>a</sup> 1	2011-006030	Gila	2N	15 1/2 E 15, 22
2	409964	BD <sup>a</sup> 2	2011-006031		2N	15 1/2 E 22
3	409965	BD <sup>a</sup> 3	2011-006032		2N	15 1/2 E 15, 22
4	409966	BD <sup>a</sup> 4	2011-006033		2N	15 1/2 E 22
5	409967	BD <sup>a</sup> 5	2011-006034		2N	15 1/2 E 15, 22
6	409968	BD <sup>a</sup> 6	2011-006035		2N	15 1/2 E 22
7						
8						
9						
10						

List additional claims on Form MCF114.

No. of Claims: \_\_\_\_\_ x \$140 = \_\_\_\_\_  
 Check No: \_\_\_\_\_ Init. \_\_\_\_\_  
 Receipt No.: \_\_\_\_\_  
 For BLM Use Only

Bureau of Land Management  
 Arizona State Office  
 www.blm.gov/az

Form: MCF112  
 Revised July 2009

This form is available from the Arizona Department of Mines and Mineral Resources and may be reproduced.

**MAINTENANCE FEE PAYMENT** Agent for:

Claimant Name: Nick BARR Truedaim Resources(US) Inc.

Address: P.O. Box 6688

City: Apache Junction State: AZ Zip: 85178

Telephone: 480-241-0436

E-mail address: nrbarre@aceweb.com

Signature: Nick Barr

Check here if this is a change of address.

BLM Date Stamp	RECEIVED BLM AZ STATE OFFICE PHOENIX, ARIZONA 2013 AUG 22 A 11:40
----------------------	--

case in  
↓

LINE NO.	AMC NUMBER	CLAIM/SITE NAME	COUNTY RECORDER DATA (If available)	TWP	RNG	SEC
1	424435	BD # 7	2013-009075	2N	15 1/2 E	22
2	424436	BD # 8	2013-009076	2N	15 1/2 E	22
3	424437	BD # 9	2013-009077	2N	15 1/2 E	22
4	424438	BD # 10	2013-009078	2N	15 1/2 E	22
5	424439	BD # 11	2013-009079	2N	15 1/2 E	22
6	424440	BD # 12	2013-009080	2N	15 1/2 E	22
7	424441	BD # 13	2013-009081	2N	15 1/2 E	22, 23
8	424442	BD # 14	2013-009082	2N	15 1/2 E	23
9	424443	BD # 15	2013-009083	2N	15 1/2 E	22
10	424444	BD # 16	2013-009084	2N	15 1/2 E	22, 23

List additional claims on Form MCF114.

**Bureau of Land Management**  
**Arizona State Office**  
[www.blm.gov/az/](http://www.blm.gov/az/)

No. of Claims: _____ x \$140 = _____
Check No: _____ Init. _____
Receipt No.: _____
<b>For BLM Use Only</b>

Form: MCF112  
 Revised July 2009

This form is available from the **Arizona Department of Mines and Mineral Resources** and may be reproduced!

*copied so the cases could be entered. Then can maint fee.*



**SUPPLEMENTAL ATTACHMENT**

May be used with the following forms for listing additional mining claims:

- Check One.
- Affidavit of Performance of Annual Work
  - Maintenance Fee Payment
  - Notice of Intent to Hold Mining Claims
  - Notice of Non-Liability for Labor and Materials Furnished

BLM  
Date  
Stamp

PHOENIX, ARIZONA

2013 AUG 22 A 11: 40

RECEIVED

LINE NO.	AMC NUMBER	CLAIM/SITE NAME	COUNTY RECORDER DATA (if available)	TWP	RNG	SEC
11	424445	BD # 17	2013-009085	2N	15 1/2 E	22
12	424446	BD # 18	2013-009086	2N	15 1/2 E	22, 23
13	424447	BD # 19	2013-009087	2N	15 1/2 E	22
14	424448	BD # 20	2013-009088	2N	15 1/2 E	22, 27
15	424449	BD # 21	2013-009089	2N	15 1/2 E	22
16	424450	BD # 22	2013-009090	2N	15 1/2 E	22, 27
17	424451	BD # 23	2013-009091	2N	15 1/2 E	22
18	424452	BD # 24	2013-009092	2N	15 1/2 E	22, 27
19	424453	BD # 25	2013-009093	2N	15 1/2 E	15
20	424454	BD # 26	2013-009094	2N	15 1/2 E	15
21	424455	BD # 27	2013-009095	2N	15 1/2 E	15
22	424456	BD # 28	2013-009096	2N	15 1/2 E	15
23	424457	BD # 29	2013-009097	2N	15 1/2 E	15
24	424458	BD # 30	2013-009098	2N	15 1/2 E	15
25	424459	BD # 31	2013-009099	2N	15 E 15 1/2 E	13 15
26	424460	BD # 32	2013-009100	2N	15 1/2 E	15, 22
27	424461	BD # 33	2013-009101	2N	15 E 15 1/2 E	13 15
28	424462	BD # 34	2013-009102	2N	15 1/2 E	15, 22
29	424463	BD # 35	2013-009103	2N	15 E 15 1/2 E	13 15

Form MCF114  
Revised June 2005

This form is available from the Arizona Department of Mines & Mineral Resources and may be reproduced.

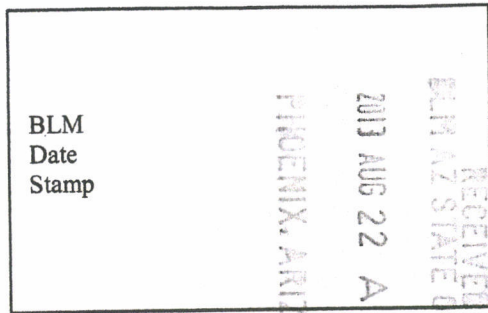
**SUPPLEMENTAL ATTACHMENT**

May be used with the following forms for listing additional mining claims:

Check One.

- Affidavit of Performance of Annual Work
- Maintenance Fee Payment
- Notice of Intent to Hold Mining Claims
- Notice of Non-Liability for Labor and Materials Furnished

BLM  
Date  
Stamp



LINE NO.	AMC NUMBER	CLAIM/SITE NAME	COUNTY RECORDER DATA (if available)	TWP	RNG	SEC
30	424464	BD #36	2013-009104	2N	15E 15 1/2 E	13, 24 15, 22

Form MCF114  
Revised June 2005

United States Department of the Interior  
 Bureau of Land Management  
 LANDS/RECREATION & PLANNING  
 ONE N CENTRAL AVE  
 PHOENIX, AZ 85004 -2203  
 Phone: 602-417-9200

Receipt

No:

2862148

Transaction #: 2948028

Date of Transaction: 08/22/2013

CUSTOMER:

NICHOLAS BARR  
 PO BOX 6688  
 APACHE JUNCTION, AZ 85178-0046 US

LINE #	QTY	DESCRIPTION	REMARKS	UNIT PRICE	TOTAL
1	1.00	LOCATABLE MINERALS / MINING CLAIMS-NOT NEW-UNADJUD, ONE AUTH NO. ONLY / MINING CLAIM MONEY RECEIVED CASES: AMC410195/\$25200.00	MAINT 2014/180	- n/a -	25200.00
<b>TOTAL:</b>					<b>\$25,200.00</b>

PAYMENT INFORMATION

1	AMOUNT:	25200.00	POSTMARKED:	N/A
	TYPE:	CHECK	RECEIVED:	08/22/2013
	CHECK NO:	607222053		
	NAME:	TRUECLAIM EXPLORATION INC 575 - 510 BURRARD ST VANCOUVER BC CANADA NS V6C3A8 US		

REMARKS

This receipt was generated by the automated BLM Collections and Billing System and is a paper representation of a portion of the official electronic record contained therein.

**NOTICE!!**

**These documents have been scanned!**

**Do not place un-scanned documents beneath this notice!**

**Do not remove this notice from this file!**

GPO Jacket No. 560-102  
Print Order 61540  
Rise Business Services, LLC  
Job=AZ15 5/13/2019



Box Number= AZ15038



Claim Begin-End: AMC424435-AMC424464

6 Location Notices-Amendments and Supporting Documents



AZ15038-9

AMC423774-AMC424570

MII . G CLAIM STATUS REPC

8/1/2013

DATA ENTERED AUG 28 2013

MTP Checked by nct AUG 28 2013
GEO Checked by nct AUG 28 2013

LEAD SERIAL NUMBER AMC 424435 thru AMC 424464

# OF CLAIMS & TYPE

CHARGES

Table with 2 columns: # OF CLAIMS & TYPE and CHARGES. Includes rows for LODE, PLACER, ASSOCIATION PLACER, MILL SITE, TUNNEL SITE and various fees like Location Fee, Processing Fee, Maintenance Fee, etc. Total \$5670.

TOTAL CLAIM ACREAGE? 20

# OF LOCATORS? 1

DOCUMENTS RECEIVED VIA -

TIMELY FILED?

Over-the-Counter ( ) Mail ( ) Yes ( ) No ( )

LEGAL DESCRIPTION - T 2N R 15 1/2 E SEC 22, 23, 15, 27,
T 2N R 15E SEC 13, 24
T R SEC
T R SEC

BLM ( ) FOREST SERVICE (X) SUBJ TO PL 359: Yes ( ) No (X)

WILDERNESS AREA: No (X) Yes ( )

SPLIT ESTATE - N/A ( ) SX ( ) PX ( ) SRHA ( ) OTHER ( )

Proper Notice Filed if Located on SHRA Lands? N/A ( ) Yes ( ) No ( )

RECONVEYED MINERALS ON BLM LANDS REQUIRE OPENING ORDERS FROM 1944 TO 1993 -

Open to Entry on: N/A ( )

COMMENTS/STATUS - VOID ( ) PARTIALLY VOID ( ) PVT MINERALS ( ) WITHDRAWN LANDS ( )

OTHER ( )

Claimant acknowledges that portions of the following claims(s) site(s) may be void or voidable.

Printed Name of Claimant Signature of Claimant

\*\*\*\*\* FINAL ADJUDICATION \*\*\*\*\*

DATE 12/27/2013 INITIALS [Signature]

ANC424435

ANC424434

RECEIVED  
B.L.M. AZ STATE OFFICE

2013 AUG -1 P 12: 57

PHOENIX, AZ

After recording return to:

Nick Barr  
P.O. Box 6688  
Apache Junction, AZ  
85178

480.241.0436



LOCATION NOTICE FOR LODE MINING CLAIM

NOTICE IS HEREBY GIVEN that the BD # 7 lode mining claim has been located by Nick Barr (AGENT) whose current mailing address is P.O. Box 6688 Apache Junction, AZ 85178.

RECEIVED  
B.L.M. AZ STATE OFFICE  
2013 AUG - 1 P 12:58  
PHOENIX, AZ  
BLM Date Stamp

The general course of this claim is N. 32° W. and it is situated in Gila County, Arizona. This claim is 1500 feet in length and 600 feet in width. This claim runs from the location monument on which this location notice is posted approximately 20 feet in a S32E direction to the S end line and 1480 feet in a N32W direction to the N end line. This claim is marked by six monuments, one at each corner and one at the center of each end line of the claim.

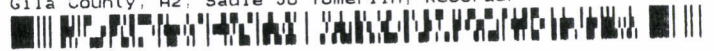
The location monument on which this notice is posted is situated within Section 22, Township 2 N, Range 15 1/2 E, Gila Salt River Base and Meridian, Arizona and this claim encompasses portions of the following quarter section (s), section (s), Township (s) and Range (s) NW 1/4 Section 22 T. 2 N. R. 15 1/2 E. Gila Salt River Base and Meridian, Arizona. (un surveyed)

The locality of this claim with reference to some natural object or permanent monument and additional information (if any) concerning its locality are as follows: NW corner of claim is located 6640 ft East and 5310 ft South of brass cap at NW corner section 13 T. 2 N. R 15 E

DATED AND POSTED on the ground this 22 day of July 2013.

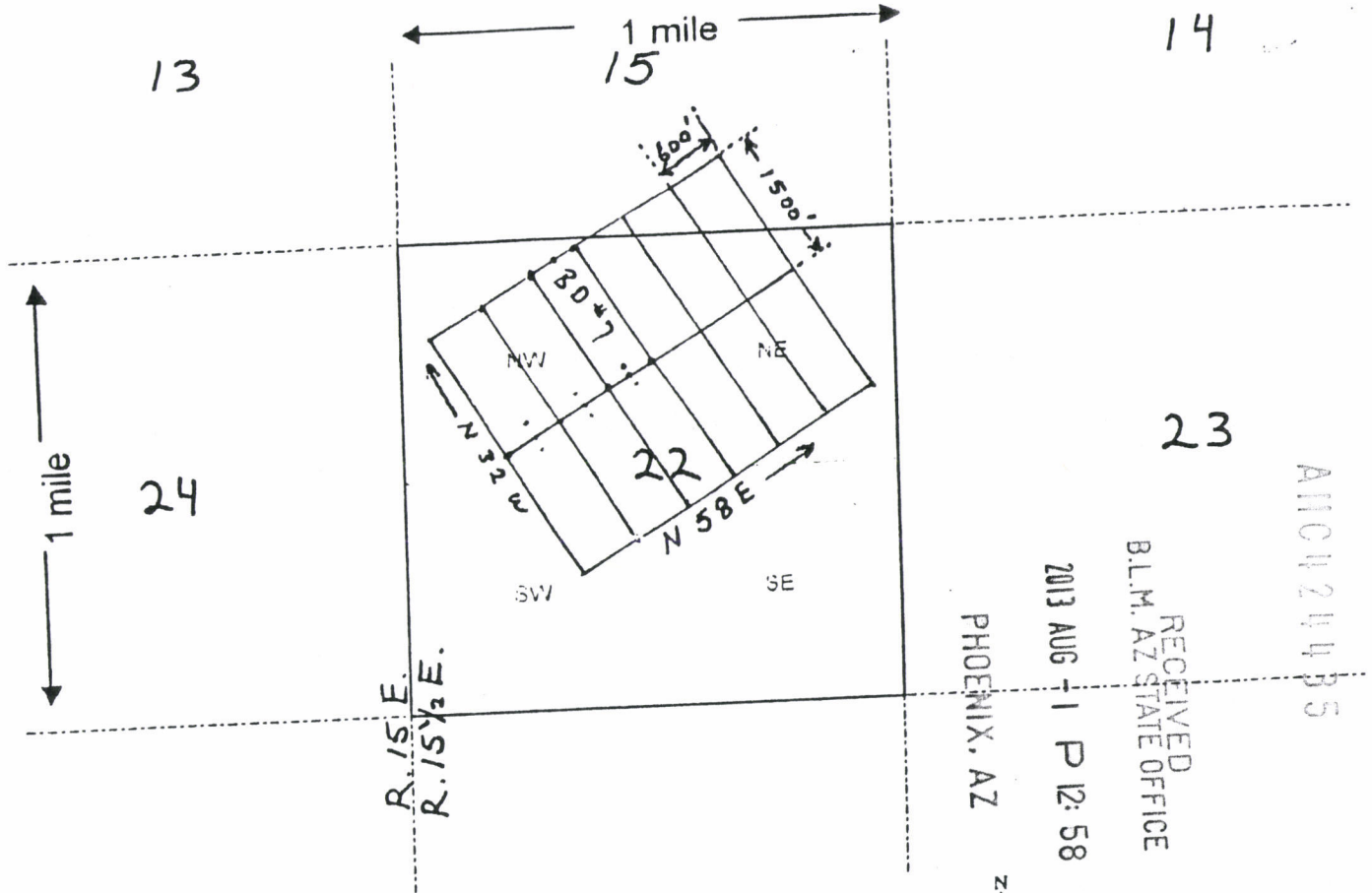
LOCATOR (s) Nick Barr  
Agent for Trueclaim Resources (US) Inc

AINC424435



### MINING CLAIM MAP

Lode (X) Placer ( )



Scale: 1" = 2000 feet

- The above map depicts the BD # 7 mining claim, which is located in Section (s) 22, Township 2 N, Range 15 1/2 E, Gila and Salt River Base and Meridian, Gila County, Arizona.
- The type of corner and location monuments used are as follows: 2" x 2" x 4' wood posts
- The bearings and distances in degrees and feet between claim corners are as depicted on the map.



After recording return to:

Nick Barr  
P.O. Box 6688  
Apache Junction, AZ  
85178



LOCATION NOTICE FOR LODE MINING CLAIM

NOTICE IS HEREBY GIVEN that the BD # 8 lode mining claim has been located by Nick Barr (Agent) whose current mailing address is P.O. Box 6688 Apache Junction, AZ 85178.

RECEIVED  
BLM AZ STATE OFFICE  
2013 AUG - 1 P 12: 58  
PHOENIX, AZ  
BLM Date Stamp

AL10124436

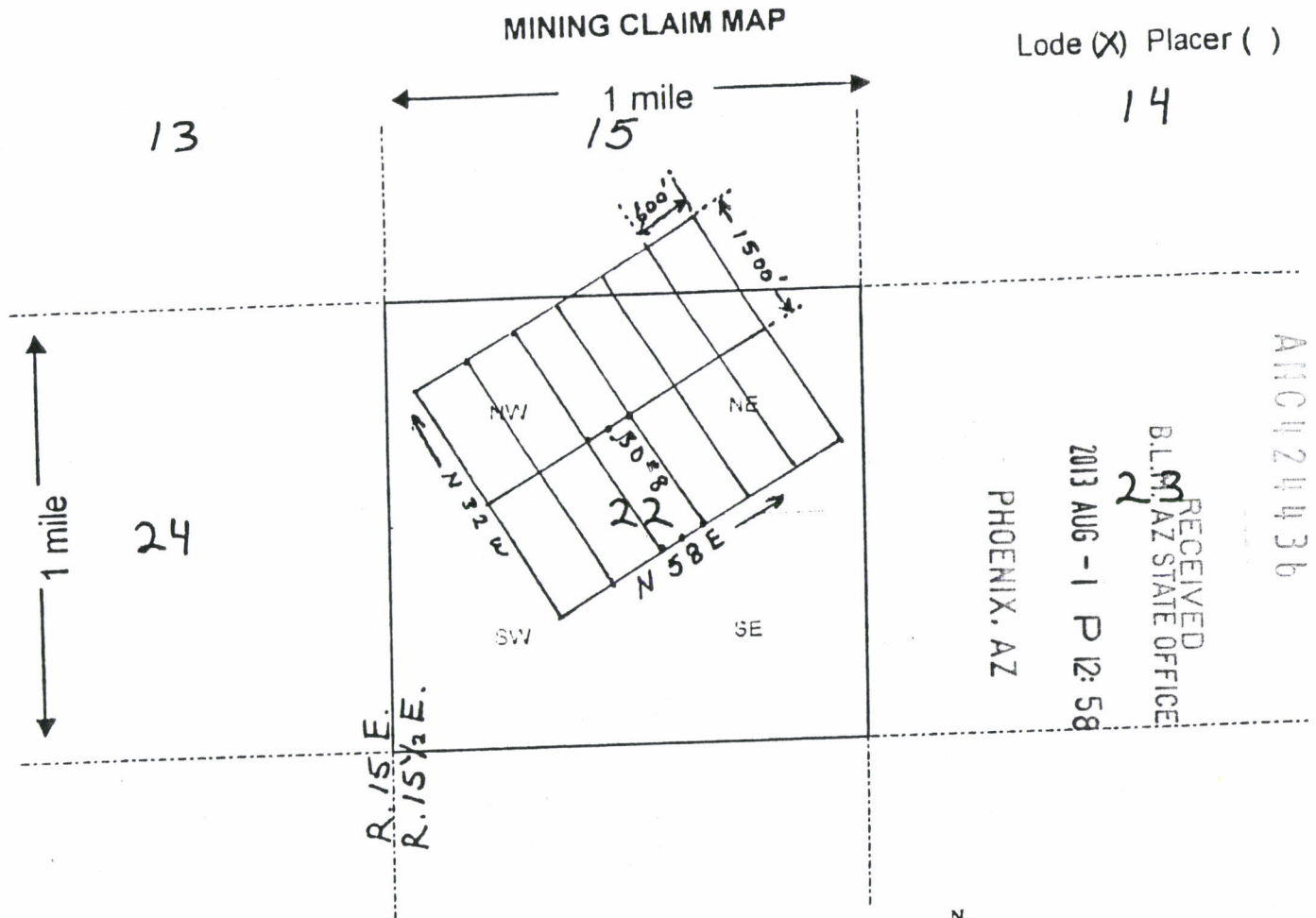
The general course of this claim is N. 32° W. and it is situated in Gila County, Arizona. This claim is 1500 feet in length and 600 feet in width. This claim runs from the location monument on which this location notice is posted approximately 20 feet in a N 32 W direction to the N end line and 20 feet in a S 32 E direction to the S end line. This claim is marked by six monuments, one at each corner and one at the center of each end line of the claim.

The location monument on which this notice is posted is situated within Section 22, Township 2 N, Range 15 1/2 E, Gila Salt River Base and Meridian, Arizona and this claim encompasses portions of the following quarter section (s), section (s), Township (s) and Range (s) NW, NE & SE 1/4 Section 22 T. 2 N. R. 15 1/2 E. Gila Salt River Base and Meridian, Arizona. (un surveyed)

The locality of this claim with reference to some natural object or permanent monument and additional information (if any) concerning its locality are as follows: NW corner of claim is located 7455 ft East and 6880 ft South of brass cap at NW corner section 13, T. 2 N. R. 15 E

DATED AND POSTED on the ground this 22 day of July, 2013.

LOCATOR (s) Nick Barr  
Agent for Trueclaim Resources (US) Inc



- The above map depicts the BD # 8 mining claim, which is located in Section (s) 22, Township 2 N., Range 15 1/2 E., Gila and Salt River Base and Meridian, Gila County, Arizona.
- The type of corner and location monuments used are as follows: 2" x 2" x 4' wood posts
- The bearings and distances in degrees and feet between claim corners are as depicted on the map.



After recording return to:

Nick Barr  
P.O. Box 6688  
Apache Junction, AZ  
85178



LOCATION NOTICE FOR LODE MINING CLAIM

NOTICE IS HEREBY GIVEN that the BD # 9 lode mining claim has been located by Nick Barr (Agent) whose current mailing address is P.O. Box 6688  
Apache Junction, AZ 85178.

RECEIVED  
B.L.M. AZ STATE OFFICE  
2013 AUG - 1 P 12:58  
PHOENIX, AZ  
BLM  
Date  
Stamp

1101021437

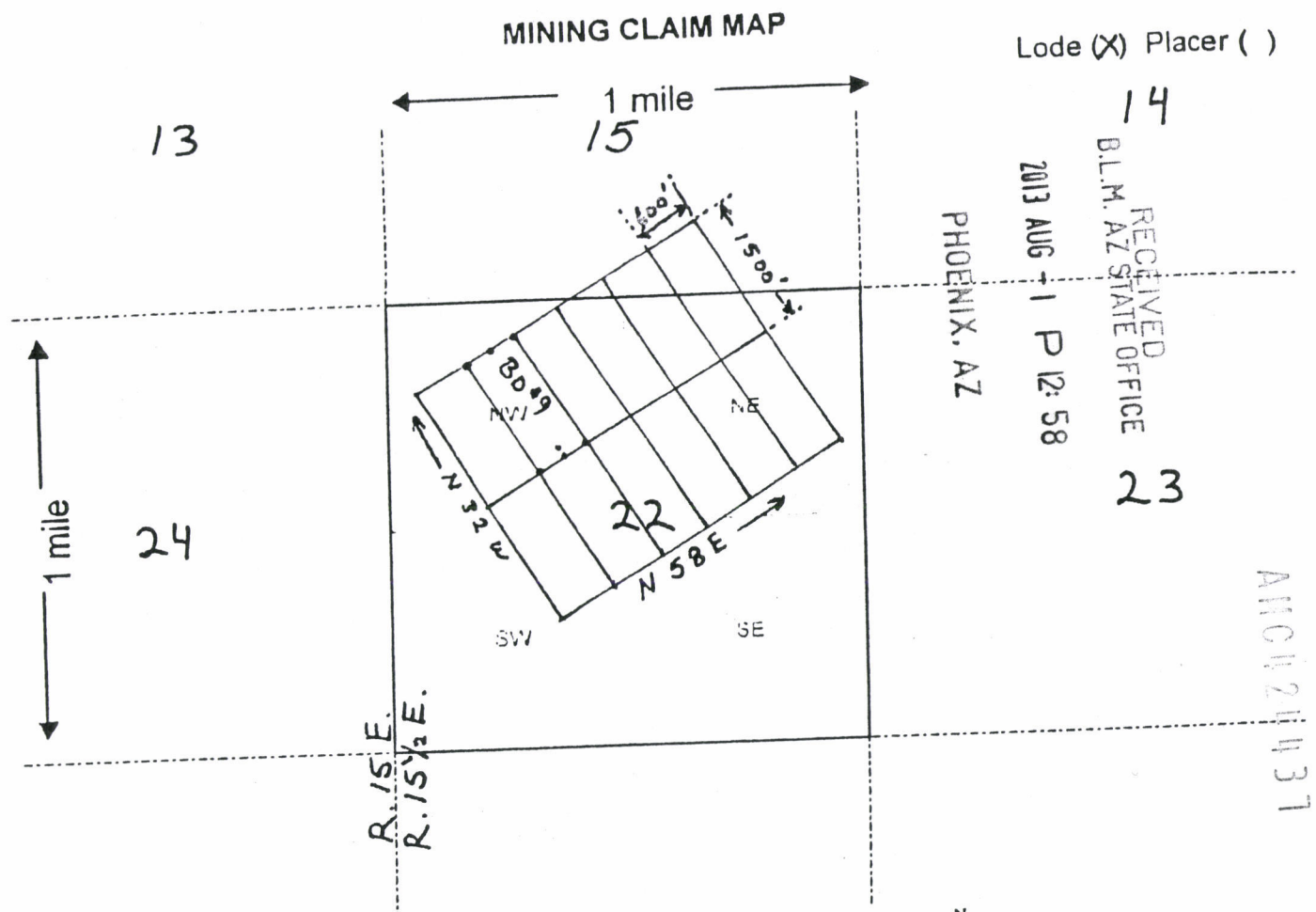
The general course of this claim is N. 32° W. and it is situated in Gila County, Arizona. This claim is 1500 feet in length and 600 feet in width. This claim runs from the location monument on which this location notice is posted approximately 20 feet in a S32E direction to the S end line and 1480 feet in a N32W direction to the N end line. This claim is marked by six monuments, one at each corner and one at the center of each end line of the claim.

The location monument on which this notice is posted is situated within Section 22, Township 2 N, Range 15 1/2 E, Gila Salt River Base and Meridian, Arizona and this claim encompasses portions of the following quarter section (s), section (s), Township (s) and Range (s) NW 1/4 Section 22 T. 2 N. R. 15 1/2 E.  
Gila Salt River Base and Meridian, Arizona. (unsurveyed)

The locality of this claim with reference to some natural object or permanent monument and additional information (if any) concerning its locality are as follows: NW corner of claim is located 6130 ft East and 5960 ft South of brass cap at NW corner section 13 T. 2 N. R. 15 E

DATED AND POSTED on the ground this 22 day of July, 2013.

LOCATOR(S) Nick Barr  
Agent for Trueclaim Resources (US) Inc



Lode (X) Placer ( )  
 14  
 RECEIVED  
 B.L.M. AZ STATE OFFICE  
 2013 AUG - 1 P 12:58  
 23

AHC1211437

Scale: 1" = 2000 feet

- The above map depicts the BD # 9 mining claim, which is located in Section (s) 22, Township 2 N., Range 15 1/2 E., Gila and Salt River Base and Meridian, Gila County, Arizona.
- The type of corner and location monuments used are as follows: 2" x 2" x 4' wood posts
- The bearings and distances in degrees and feet between claim corners are as depicted on the map.

After recording return to:  
Nick Barr  
P.O. Box 6688  
Apache Junction, AZ  
85178



LOCATION NOTICE FOR LODE MINING CLAIM

NOTICE IS HEREBY GIVEN that the BD # 10 lode mining claim has been located by Nick Barr (Agent) whose current mailing address is P.O. Box 6688 Apache Junction, AZ 85178.

RECEIVED  
B.L.M. AZ STATE OFFICE  
2013 AUG - 1 P 12:58  
PHOENIX, AZ  
BLM  
Date  
Stamp

AL101421438

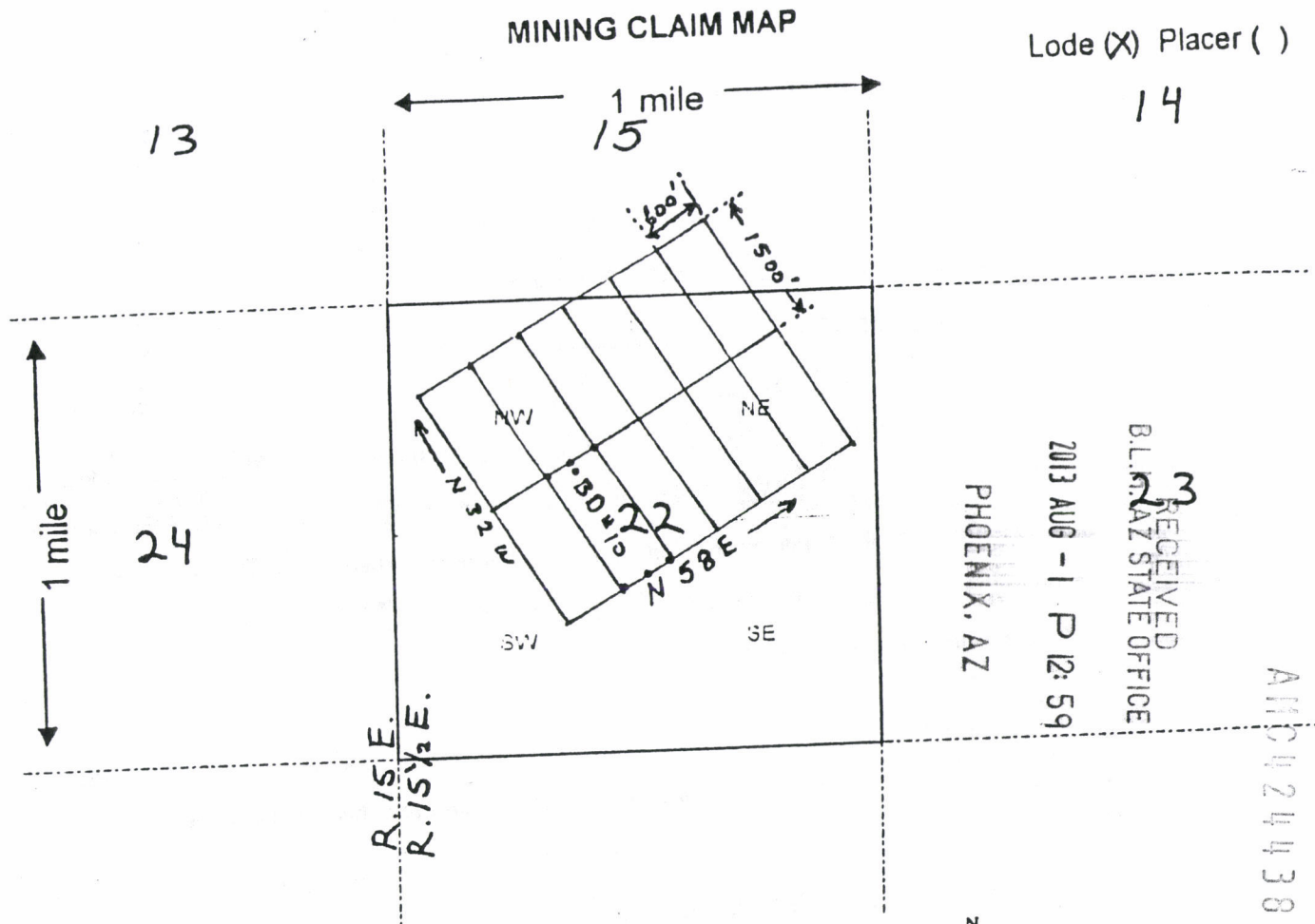
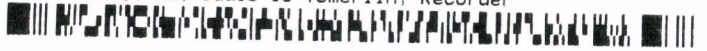
The general course of this claim is N. 32° W. and it is situated in Gila County, Arizona. This claim is 1500 feet in length and 600 feet in width. This claim runs from the location monument on which this location notice is posted approximately 20 feet in a N32W direction to the N end line and 20 feet in a S32E direction to the S end line. This claim is marked by six monuments, one at each corner and one at the center of each end line of the claim.

The location monument on which this notice is posted is situated within Section 22, Township 2 N, Range 15 1/2 E, Gila Salt River Base and Meridian, Arizona and this claim encompasses portions of the following quarter section (s), section (s), Township (s) and Range (s) NW, NE, SW 1/4 Section 22, T. 2 N. R. 15 1/2 E. Gila Salt River Base and Meridian, Arizona. (unsurveyed)

The locality of this claim with reference to some natural object or permanent monument and additional information (if any) concerning its locality are as follows: NW corner of claim is located 6930 ft East and 7200 ft South of brass cap at NW corner section 13 T. 2 N. R 15 E

DATED AND POSTED on the ground this 22 day of July, 2013.

LOCATOR (s) Nick Barr  
Agent for Trueclaim Resources (us) Inc



- The above map depicts the BD # 10 mining claim, which is located in Section (s) 22, Township 2 N, Range 15 1/2 E, Gila and Salt River Base and Meridian, Gila County, Arizona.
- The type of corner and location monuments used are as follows: 2" x 2" x 4' wood posts
- The bearings and distances in degrees and feet between claim corners are as depicted on the map.



After recording return to:

Nick Barr  
P.O. Box 6688  
Apache Junction, AZ  
85178



LOCATION NOTICE FOR LODE MINING CLAIM

NOTICE IS HEREBY GIVEN that the BD # 11 lode mining claim has been located by Nick Barr (Agent) whose current mailing address is P.O. Box 6688 Apache Junction, AZ 85178.

RECEIVED BLM, AZ STATE OFFICE	2013 AUG -1 P 1:01	PHOENIX, AZ
BLM Date Stamp		

AL101424439

The general course of this claim is N. 32° W. and it is situated in Gila County, Arizona. This claim is 1500 feet in length and 600 feet in width. This claim runs from the location monument on which this location notice is posted approximately 20 feet in a S32E direction to the S end line and 1480 feet in a N32W direction to the N end line. This claim is marked by six monuments, one at each corner and one at the center of each end line of the claim.

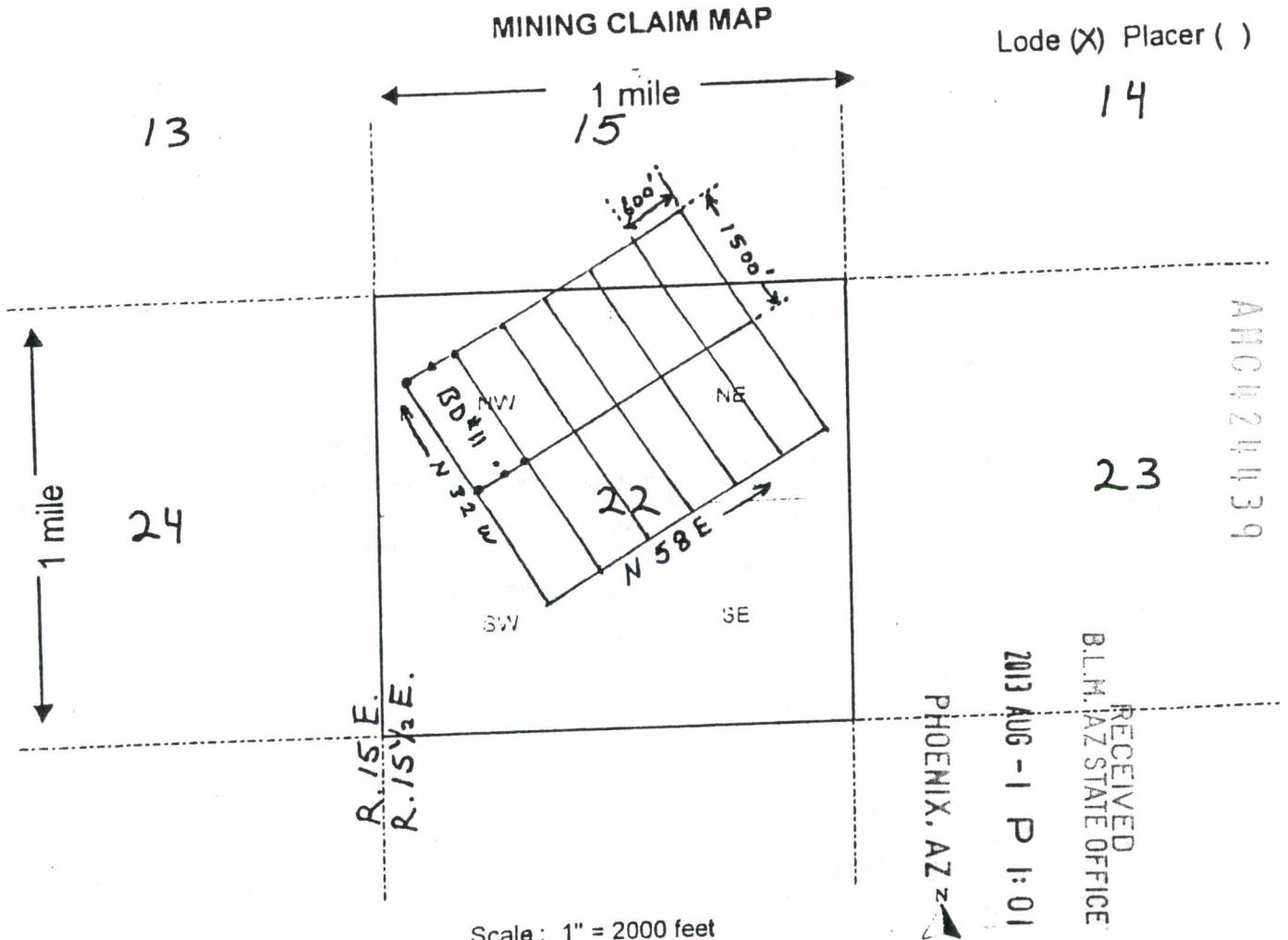
The location monument on which this notice is posted is situated within Section 22, Township 2 N, Range 15 1/2 E, Gila Salt River Base and Meridian, Arizona and this claim encompasses portions of the following quarter section (s), section (s), Township (s) and Range (s)

NW 1/4 Section 22 T. 2 N. R. 15 1/2 E.  
Gila Salt River Base and Meridian, Arizona. (unsurveyed)

The locality of this claim with reference to some natural object or permanent monument and additional information (if any) concerning its locality are as follows: NW corner of claim is located 5590 ft East and 7270 ft South of brass cap at NW corner section 13, T. 2 N. R. 15 E

DATED AND POSTED on the ground this 22 day of July, 2013.

LOCATOR (s) Nick Barr  
Agent for Trueclaim Resources (us) Inc



Scale: 1" = 2000 feet

1. The above map depicts the BD # 11 mining claim, which is located in Section (s) 22, Township 2 N, Range 15 1/2 E, Gila and Salt River Base and Meridian, Gila County, Arizona.
2. The type of corner and location monuments used are as follows: 2" x 2" x 4' wood posts
3. The bearings and distances in degrees and feet between claim corners are as depicted on the map.





After recording return to:

Nick Barr  
P.O. Box 6688  
Apache Junction, AZ  
85178



LOCATION NOTICE FOR LODE MINING CLAIM

NOTICE IS HEREBY GIVEN that the \_\_\_\_\_

BD # 12 lode mining claim has been located

by Nick Barr (Agent) whose current mailing

address is P.O. Box 6688

Apache Junction, AZ 85178.

RECEIVED  
BLM, AZ STATE OFFICE  
2013 AUG - 1 P 1:01  
PHOENIX, AZ  
BLM Date Stamp

AMC11211440

The general course of this claim is N. 32° W. and it is situated in Gila County, Arizona. This claim is 1500 feet in length and 600 feet in width. This claim runs

from the location monument on which this location notice is posted approximately 20 feet in a

N32W direction to the N end line and 20 feet in a S32E direction to the

S end line. This claim is marked by six monuments, one at each corner and one at the center of each end line of the claim.

The location monument on which this notice is posted is situated within Section 22, Township 2 N, Range 15 1/2 E, Gila Salt River Base and Meridian, Arizona and this claim encompasses portions

of the following quarter section (s), section (s), Township (s) and Range (s) \_\_\_\_\_

NW 1 SW 1/4 Section 22 T. 2 N. R. 15 1/2 E.  
Gila Salt River Base and Meridian, Arizona. (un surveyed)

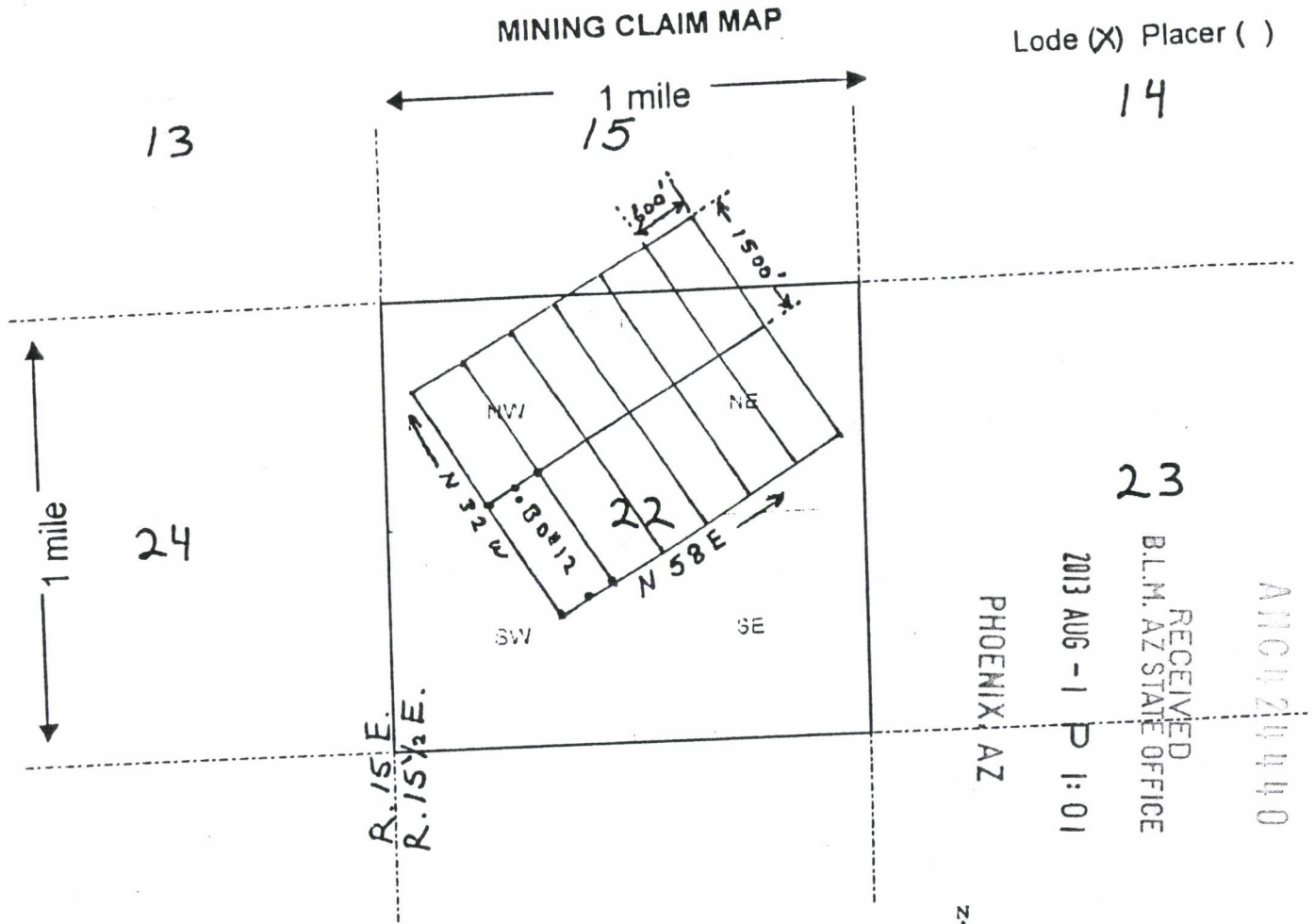
The locality of this claim with reference to some natural object or permanent monument and additional information (if any) concerning its locality are as follows: NW corner of claim is located

6460 ft East and 7530 ft South of brass cap at

NW corner section 13, T. 2 N. R. 15 E

DATED AND POSTED on the ground this 22 day of July, 2013.

LOCATOR (s): Nick Barr  
Agent for Trueclaim Resources (us) Inc



Scale: 1" = 2000 feet

- The above map depicts the B.D. # 12 mining claim, which is located in Section (s) 22, Township 2 N., Range 15 1/2 E, Gila and Salt River Base and Meridian, Gila County, Arizona.
- The type of corner and location monuments used are as follows: 2" x 2" x 4' wood posts
- The bearings and distances in degrees and feet between claim corners are as depicted on the map.

After recording return to:

Nick Barr  
P.O. Box 6688  
Apache Junction, AZ  
85178



LOCATION NOTICE FOR LODE MINING CLAIM

NOTICE IS HEREBY GIVEN that the BD # 13 lode mining claim has been located by Nick Barr (agent) whose current mailing address is P.O. Box 6688 Apache Junction, AZ 85178

RECEIVED  
BLM, AZ STATE OFFICE  
2013 AUG - 1 P 1:01  
PHOENIX, AZ  
BLM Date Stamp

ANCH21441

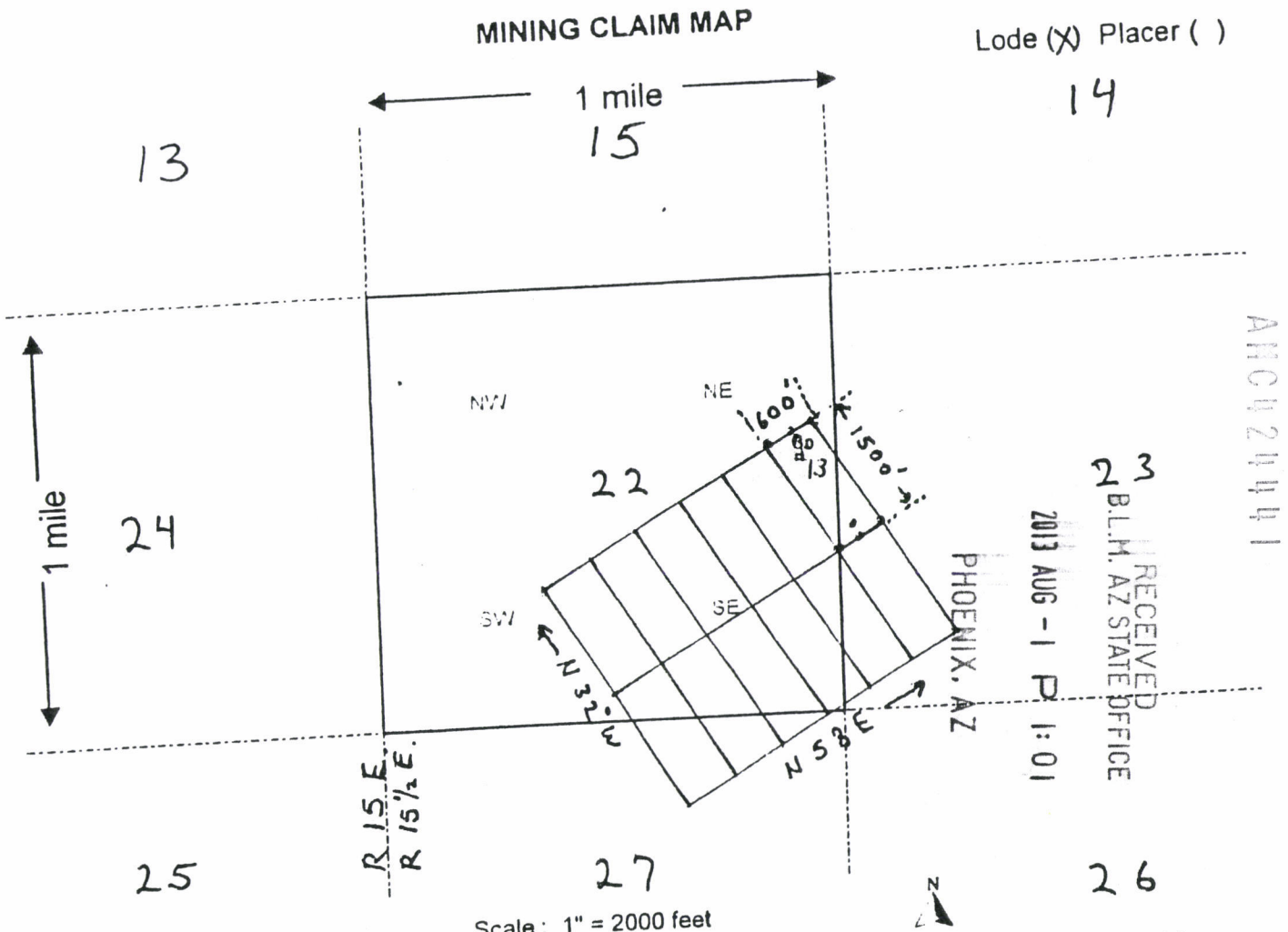
The general course of this claim is N 32° W. and it is situated in Gila County, Arizona. This claim is 1500 feet in length and 600 feet in width. This claim runs from the location monument on which this location notice is posted approximately 20 feet in a S32E direction to the S end line and 1480 feet in a N32W direction to the N end line. This claim is marked by six monuments, one at each corner and one at the center of each end line of the claim.

The location monument on which this notice is posted is situated within Section 23, Township 2 N, Range 15 1/2 E, Gila Salt River Base and Meridian, Arizona and this claim encompasses portions of the following quarter section (s), section (s), Township (s) and Range (s) NW & SW 1/4 Section 23 T. 2 N. R 15 1/2 E Gila Salt River Base and Meridian, Arizona. (unsurveyed)

The locality of this claim with reference to some natural object or permanent monument and additional information (if any) concerning its locality are as follows: NW corner of claim is located 9660 ft East and 7230 ft South of brass cap monument at NW Corner Section 13, T. 2 N. R 15 E

DATED AND POSTED on the ground this 22 day of July, 2013.

LOCATOR (s) Nick Barr  
Agent for Trueclaim Resources (us) Inc.



- Scale: 1" = 2000 feet
- The above map depicts the BD\* 13 mining claim, which is located in Section (s) 22 & 23, Township 2 N, Range 15 1/2 E, Gila and Salt River Base and Meridian, Gila County, Arizona.
  - The type of corner and location monuments used are as follows: 2" x 2" x 4' wood posts
  - The bearings and distances in degrees and feet between claim corners are as depicted on the map.

After recording return to:

Nick Barr  
P.O. Box 6688  
Apache Junction, AZ  
85178



LOCATION NOTICE FOR LODE MINING CLAIM

NOTICE IS HEREBY GIVEN that the BD # 14 lode mining claim has been located

by Nick BARR (agent) whose current mailing address is P.O. Box 6688 Apache Junction, AZ 85178

RECEIVED  
BLM, AZ STATE OFFICE  
2013 AUG - 1 P 1:01  
PHOENIX, AZ  
BLM Date Stamp

AN0424442

The general course of this claim is N 32° W and it is situated in Gila County, Arizona. This claim is 1500 feet in length and 600 feet in width. This claim runs from the location monument on which this location notice is posted approximately 20 feet in a N32W direction to the N end line and 1480 feet in a S32E direction to the S end line. This claim is marked by six monuments, one at each corner and one at the center of each end line of the claim.

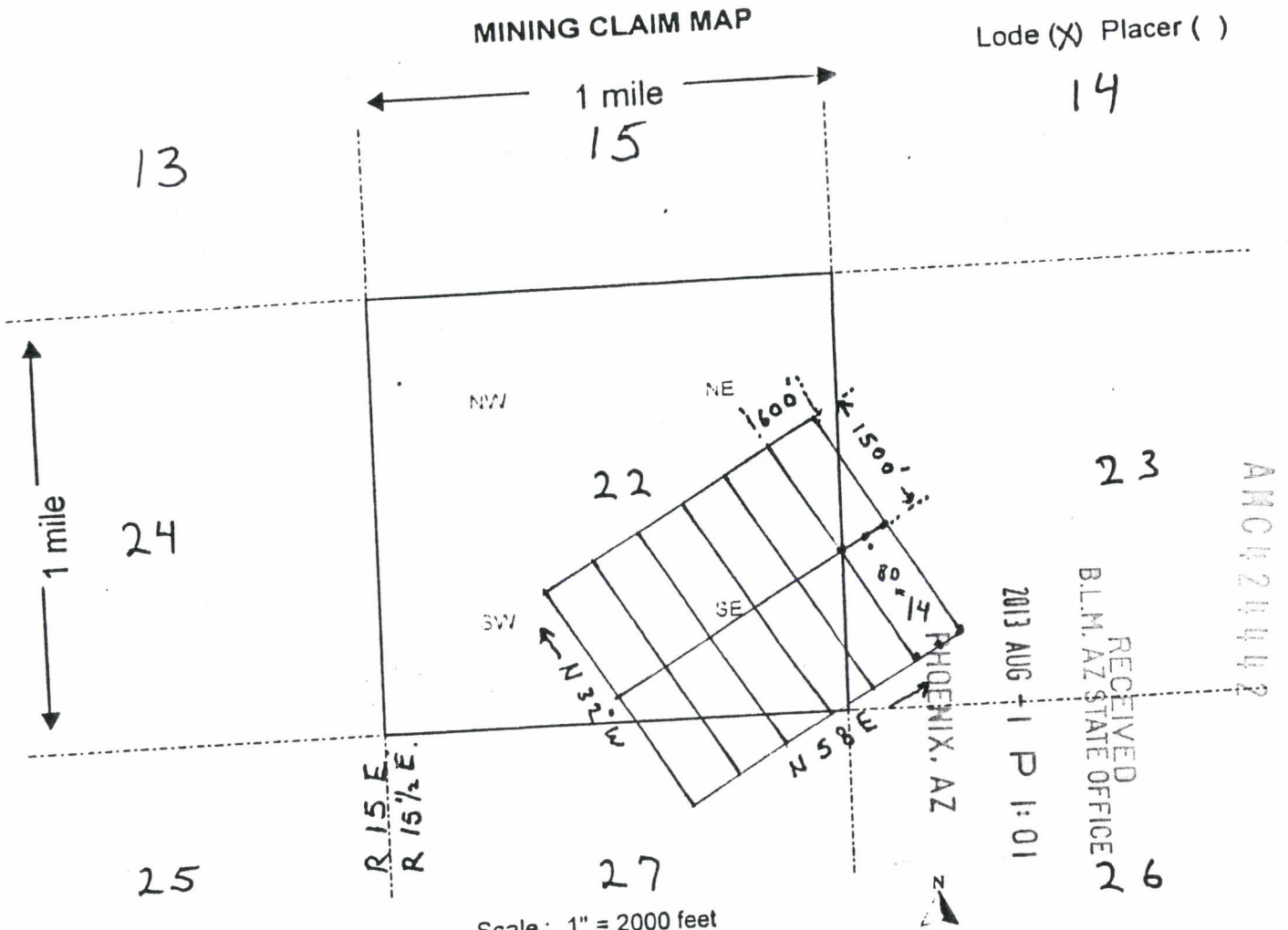
The location monument on which this notice is posted is situated within Section 23, Township 2 of the following quarter section (s), section (s), Township (s) and Range (s)

N, Range 15 1/2 E, Gila Salt River Base and Meridian, Arizona and this claim encompasses portions of the following quarter section (s), section (s), Township (s) and Range (s) SW 1/4 Section 23 T. 2 N R 15 1/2 E Gila Salt River Base and Meridian, Arizona. (unsurveyed)

The locality of this claim with reference to some natural object or permanent monument and additional information (if any) concerning its locality are as follows: NW corner of claim is located 10440 ft East and 8470 ft South of brass cap monument at NW corner Section 13, T. 2 N R 15 E

DATED AND POSTED on the ground this 22 day of July, 2013.

LOCATOR (s) Nick Barr  
Agent for Trueclaim Resources (us) Inc.



- The above map depicts the BD \* 14 mining claim, which is located in Section (s) 23, Township 2 N, Range 15 1/2 E, Gila and Salt River Base and Meridian, Gila County, Arizona.
- The type of corner and location monuments used are as follows: 2" x 2" x 4' wood posts
- The bearings and distances in degrees and feet between claim corners are as depicted on the map.

After Recording return to:

Nick Barr  
P.O. Box 6688  
Apache Junction, AZ  
85178



LOCATION NOTICE FOR LODE MINING CLAIM

NOTICE IS HEREBY GIVEN that the \_\_\_\_\_

BD # 15 lode mining claim has been located  
by Nick Barr (agent) whose current mailing  
address is P.O. Box 6688  
Apache Junction, AZ 85178

RECEIVED  
BLM  
AZ STATE OFFICE  
2013 AUG - 1 P 1:01  
PHOENIX, AZ

ALC0124413

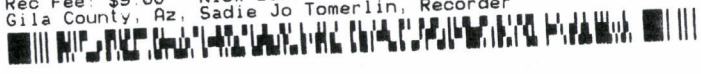
The general course of this claim is N 32° W. and it is situated in Gila  
County, Arizona. This claim is 1500 feet in length and 600 feet in width. This claim runs  
from the location monument on which this location notice is posted approximately 20 feet in a  
S32E direction to the S end line and 1480 feet in a N32W direction to the  
N end line. This claim is marked by six monuments, one at each corner and one at the center of each  
end line of the claim.

The location monument on which this notice is posted is situated within Section 22, Township 2  
N, Range 15 1/2 E, Gila Salt River Base and Meridian, Arizona and this claim encompasses portions  
of the following quarter section (s), section (s), Township (s) and Range (s) \_\_\_\_\_

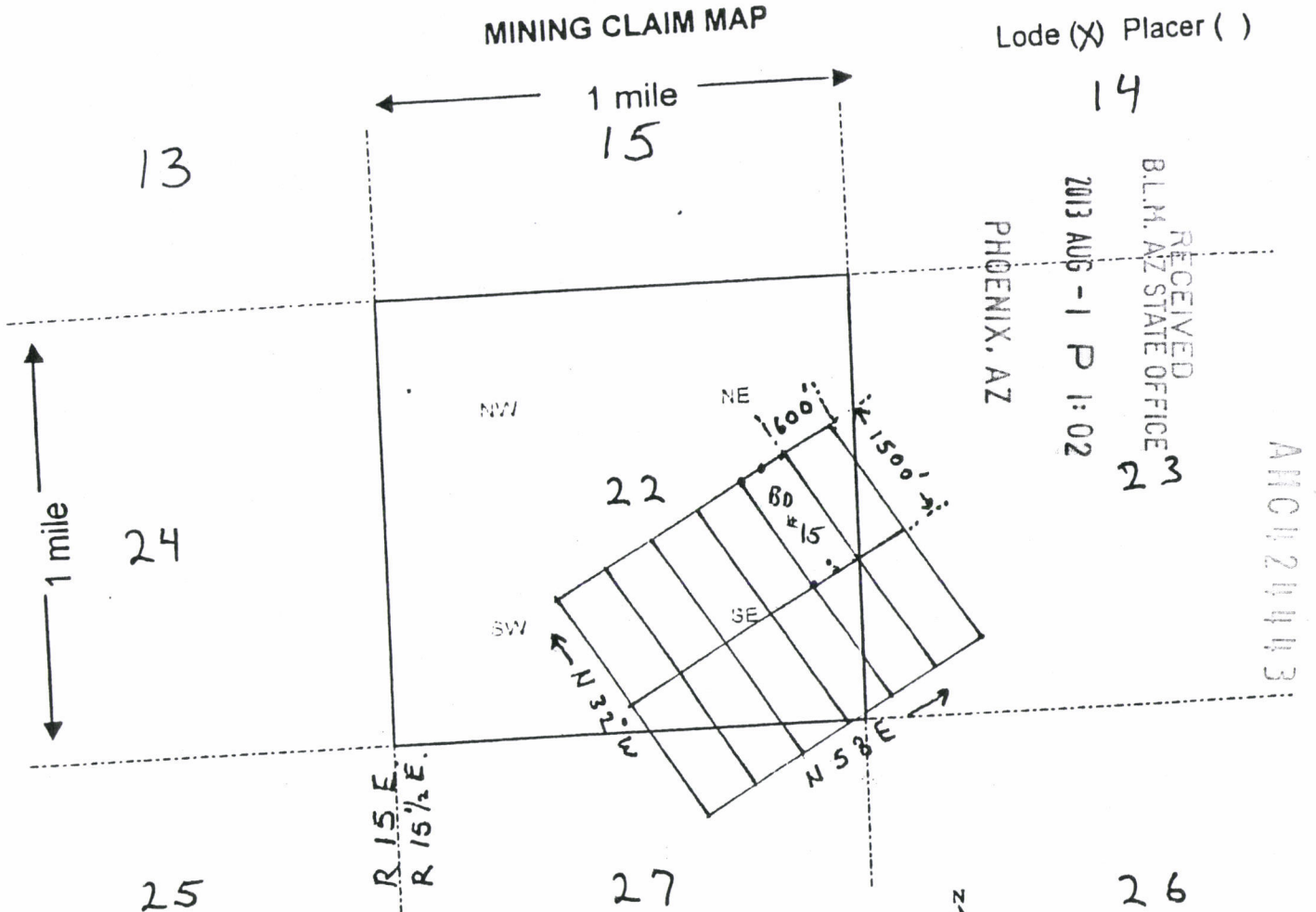
NE ESE 1/4 Section 22 T. 2 N. R 15 1/2 E  
Gila Salt River Base and Meridian, Arizona. (unsurveyed)

The locality of this claim with reference to some natural object or permanent monument and additional information  
(if any) concerning its locality are as follows: NW corner of claim is located  
9180 ft East and 7530 ft South of brass cap monument  
at NW corner Section 13, T. 2 N. R 15 E

DATED AND POSTED on the ground this 22 day of July, 2013.  
LOCATOR (s) Nick Barr  
Agent for Trueclaim Resources (US) Inc.



### MINING CLAIM MAP



Lode (X) Placer ( )

14

13

1 mile  
15

2013 AUG - 1 P 1:02

RECEIVED  
B.L.M. AZ STATE OFFICE  
23

1 mile

24

PHOENIX, AZ

AHC121413

22

NW

NE

SW

SE

R 15 E  
R 15 1/2 E

N 32° E

N 58° E

25

27



26

Scale: 1" = 2000 feet

- The above map depicts the BD \* 15 mining claim, which is located in Section (s) 22, Township 2 N, Range 15 1/2 E, Gila and Salt River Base and Meridian, Gila County, Arizona.
- The type of corner and location monuments used are as follows: 2" x 2" x 4' wood posts
- The bearings and distances in degrees and feet between claim corners are as depicted on the map.



After recording return to:

Nick Barr  
P.O. Box 6688  
Apache Junction, AZ  
85178



LOCATION NOTICE FOR LODE MINING CLAIM

NOTICE IS HEREBY GIVEN that the BD # 16 lode mining claim has been located by Nick Barr (agent) whose current mailing address is P.O. Box 6688 Apache Junction, AZ 85178

RECEIVED  
BLM, AZ STATE OFFICE  
2013 AUG - 1 P 1:02  
PHOENIX, AZ  
BLM Date Stamp

AN10124444

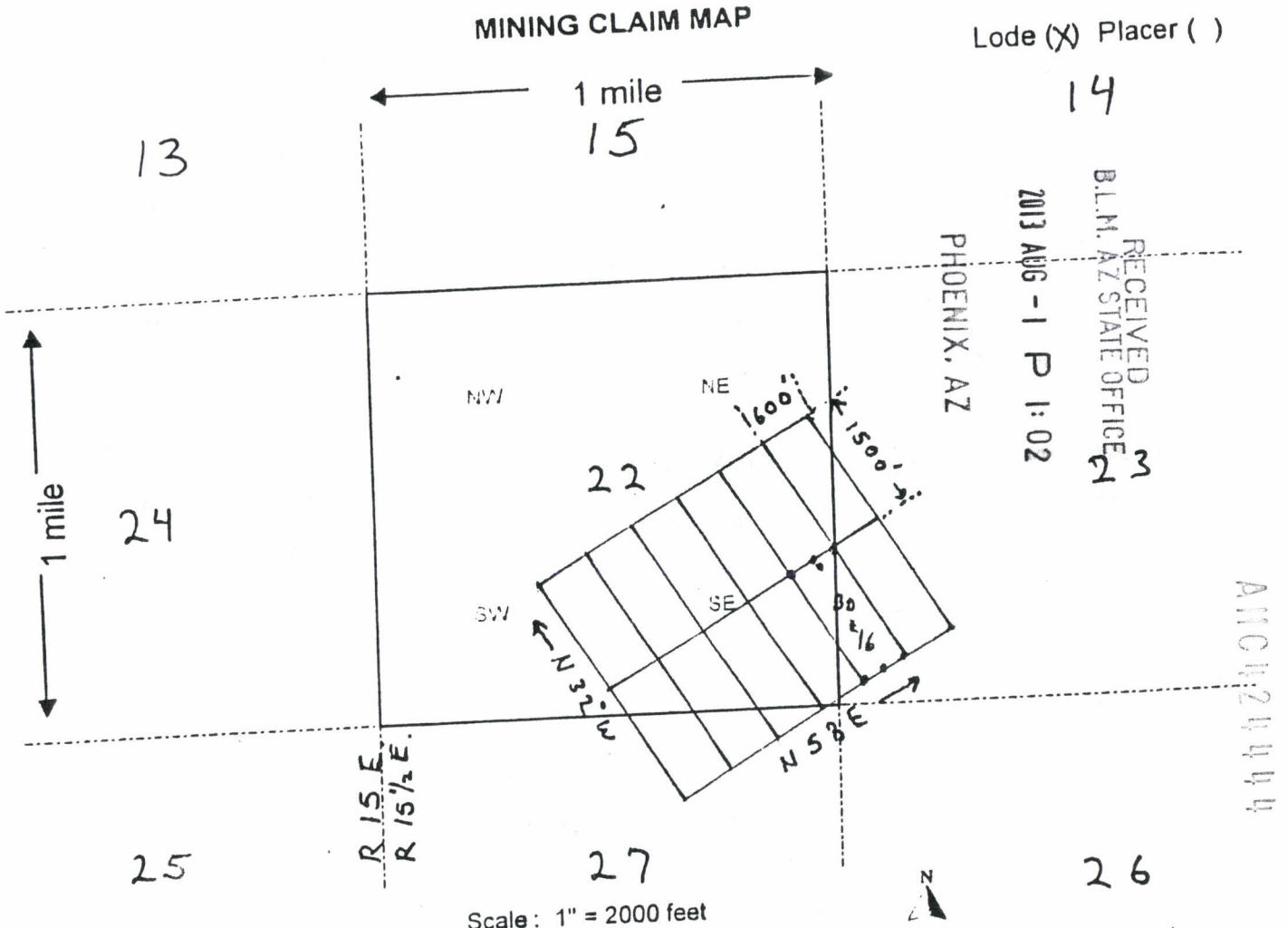
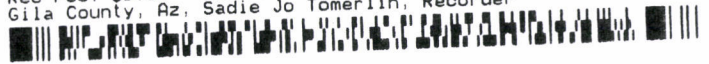
The general course of this claim is N 32° W. and it is situated in Gila County, Arizona. This claim is 1500 feet in length and 600 feet in width. This claim runs from the location monument on which this location notice is posted approximately 20 feet in a N32W direction to the N end line and 1480 feet in a S32E direction to the S end line. This claim is marked by six monuments, one at each corner and one at the center of each end line of the claim.

The location monument on which this notice is posted is situated within Section 22, Township 2 N, Range 15 1/2 E, Gila Salt River Base and Meridian, Arizona and this claim encompasses portions of the following quarter section (s), section (s), Township (s) and Range (s) SW 1/4 Section 23, SE 1/4 Section 22 T. 2 N R 15 1/2 E Gila Salt River Base and Meridian, Arizona. (unsurveyed)

The locality of this claim with reference to some natural object or permanent monument and additional information (if any) concerning its locality are as follows: NW corner of claim is located 9940 ft East and 8760 ft South of brass cap monument at NW corner Section 13, T. 2 N. R 15 E

DATED AND POSTED on the ground this 22 day of July, 2013.

LOCATOR (s) Nick Barr  
Agent for Trueclaim Resources (US) Inc.



1. The above map depicts the BD\* 16 mining claim, which is located in Section (s) 22 & 23, Township 2 N, Range 15 1/2 E, Gila and Salt River Base and Meridian, Gila County, Arizona.
2. The type of corner and location monuments used are as follows: 2" x 2" x 4' wood posts
3. The bearings and distances in degrees and feet between claim corners are as depicted on the map.

After recording return to:

Nick Barr  
P.O. Box 6688  
Apache Junction, AZ  
85178



LOCATION NOTICE FOR LODE MINING CLAIM

NOTICE IS HEREBY GIVEN that the BD # 17 lode mining claim has been located by Nick BARR (agent) whose current mailing address is P.O. Box 6688 Apache Junction, AZ 85178

RECEIVED  
BLM, AZ STATE OFFICE  
2013 AUG - 1 P 1:02  
PHOENIX, AZ  
BLM  
Date  
Stamp

AN0424445

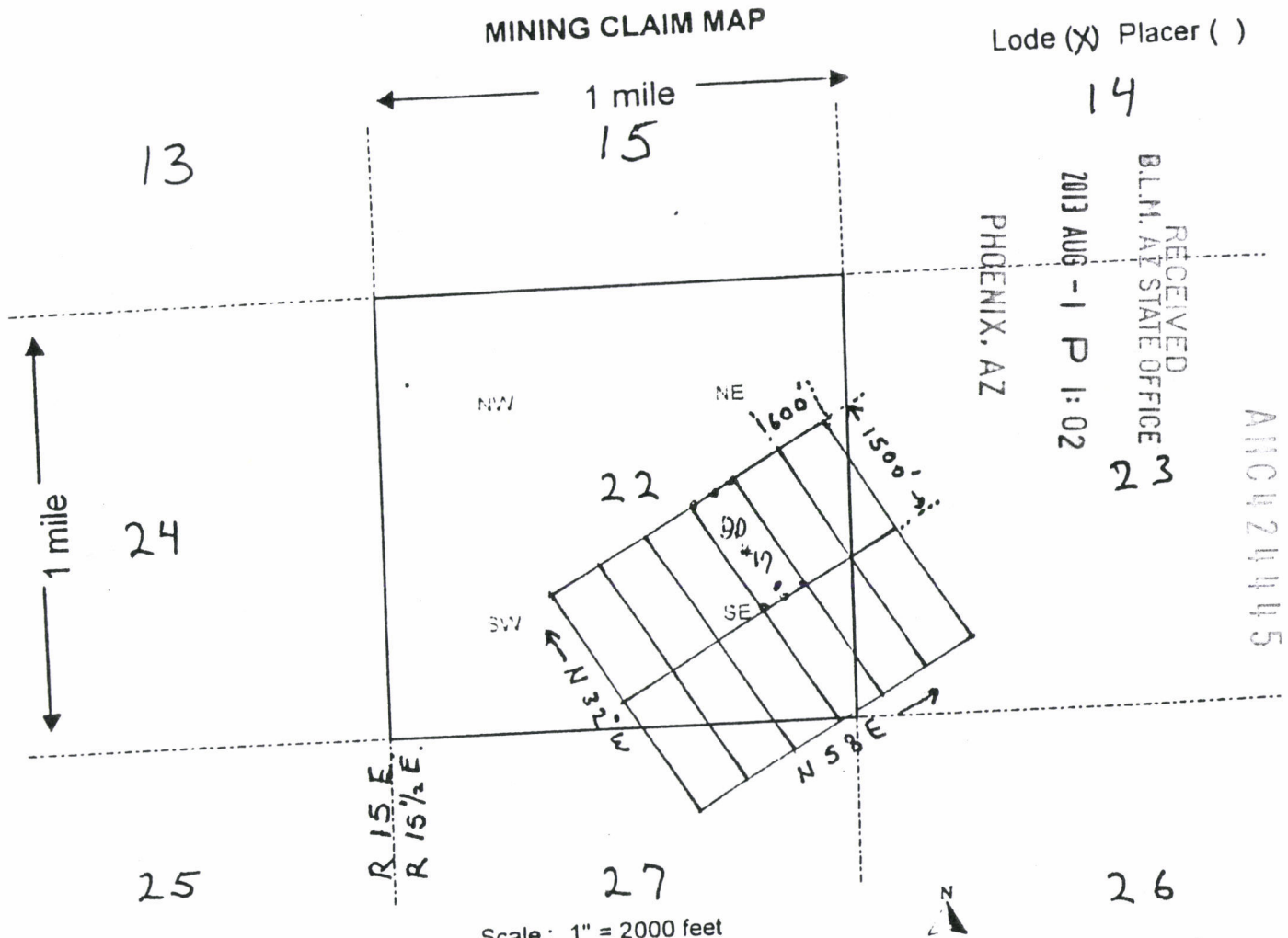
The general course of this claim is N 32° W and it is situated in Gila County, Arizona. This claim is 1500 feet in length and 600 feet in width. This claim runs from the location monument on which this location notice is posted approximately 20 feet in a S32E direction to the S end line and 1480 feet in a N32W direction to the N end line. This claim is marked by six monuments, one at each corner and one at the center of each end line of the claim.

The location monument on which this notice is posted is situated within Section 22, Township 2 N, Range 15 1/2 E, Gila Salt River Base and Meridian, Arizona and this claim encompasses portions of the following quarter section (s), section (s), Township (s) and Range (s) NE 1/4 Section 22 T. 2 N. R 15 1/2 E

Gila Salt River Base and Meridian, Arizona. (unsurveyed)  
The locality of this claim with reference to some natural object or permanent monument and additional information (if any) concerning its locality are as follows: NW corner of claim is located 8680 ft East and 7830 ft South of brass cap monument at NW corner Section 13, T. 2 N. R 15 E

DATED AND POSTED on the ground this 22 day of July, 2013.

LOCATOR (s) Nick Barr  
Agent for Trueclaim Resources (us) Inc.



1. The above map depicts the BD \* 17 mining claim, which is located in Section (s) 22, Township 2 N, Range 15 1/2 E, Gila and Salt River Base and Meridian, Gila County, Arizona.
2. The type of corner and location monuments used are as follows: 2" x 2" x 4' wood posts
3. The bearings and distances in degrees and feet between claim corners are as depicted on the map.

After recording return to:

Nick Barr  
P.O. Box 6688  
Apache Junction, AZ  
85178



LOCATION NOTICE FOR LODE MINING CLAIM

NOTICE IS HEREBY GIVEN that the BD # 18 lode mining claim has been located by Nick BARR (agent) whose current mailing address is P.O. Box 6688 Apache Junction, AZ 85178

RECEIVED  
B.L.M. AZ STATE OFFICE  
2013 AUG - 1 P 1:02  
PHOENIX, AZ  
BLM  
Date  
Stamp

AMC121446

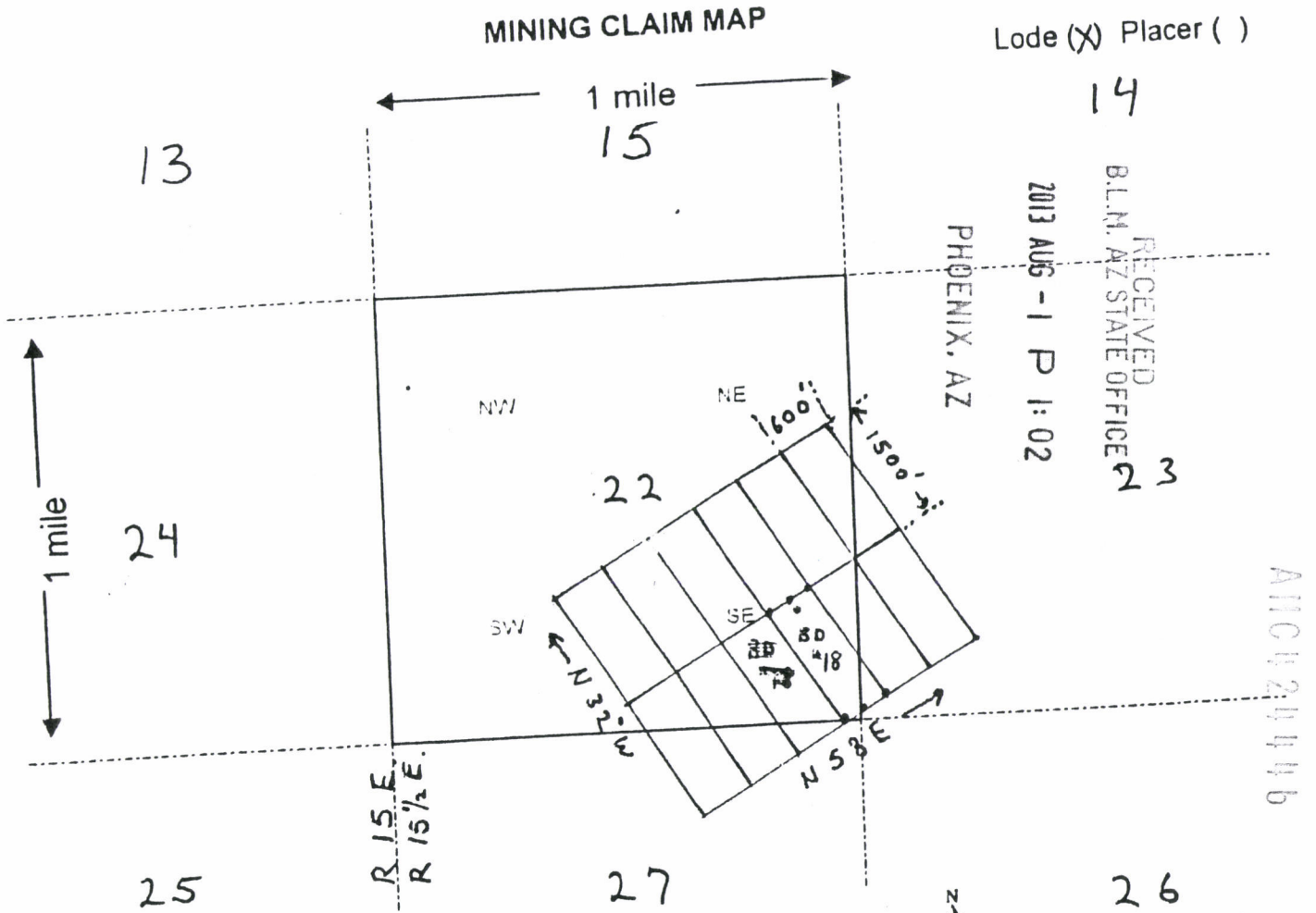
The general course of this claim is N 32° W and it is situated in Gila County, Arizona. This claim is 1500 feet in length and 600 feet in width. This claim runs from the location monument on which this location notice is posted approximately 20 feet in a N32W direction to the N end line and 1480 feet in a S32E direction to the S end line. This claim is marked by six monuments, one at each corner and one at the center of each end line of the claim.

The location monument on which this notice is posted is situated within Section 22, Township 2 N, Range 15 1/2 E, Gila Salt River Base and Meridian, Arizona and this claim encompasses portions of the following quarter section (s), section (s), Township (s) and Range (s) SE 1/4 Section 22, SW 1/4 Section 23 T. 2 N. R 15 1/2 E Gila Salt River Base and Meridian, Arizona. (unsurveyed)

The locality of this claim with reference to some natural object or permanent monument and additional information (if any) concerning its locality are as follows: NW corner of claim is located 9455 ft East and 9030 ft South of brass cap monument at NW corner Section 13, T. 2 N. R 15 E

DATED AND POSTED on the ground this 22 day of July, 2013.

LOCATOR (s) Nick Barr  
Agent for Trueclaim Resources (us) Inc.



1. The above map depicts the BD # 18 mining claim, which is located in Section (s) 22 & 23, Township 2 N, Range 15 1/2 E, Gila and Salt River Base and Meridian, Gila County, Arizona.

2. The type of corner and location monuments used are as follows: 2" x 2" x 4' wood posts

3. The bearings and distances in degrees and feet between claim corners are as depicted on the map.

After recording return to:

Nick Barr  
P.O. Box 6688  
Apache Junction, AZ  
85178



LOCATION NOTICE FOR LODE MINING CLAIM

NOTICE IS HEREBY GIVEN that the BD # 19 lode mining claim has been located by Nick Barr (agent) whose current mailing address is P.O. Box 6688 Apache Junction, AZ 85178

RECEIVED  
BLM, AZ STATE OFFICE  
2013 AUG - 1 P 1:02  
PHOENIX, AZ  
BLM  
Date  
Stamp

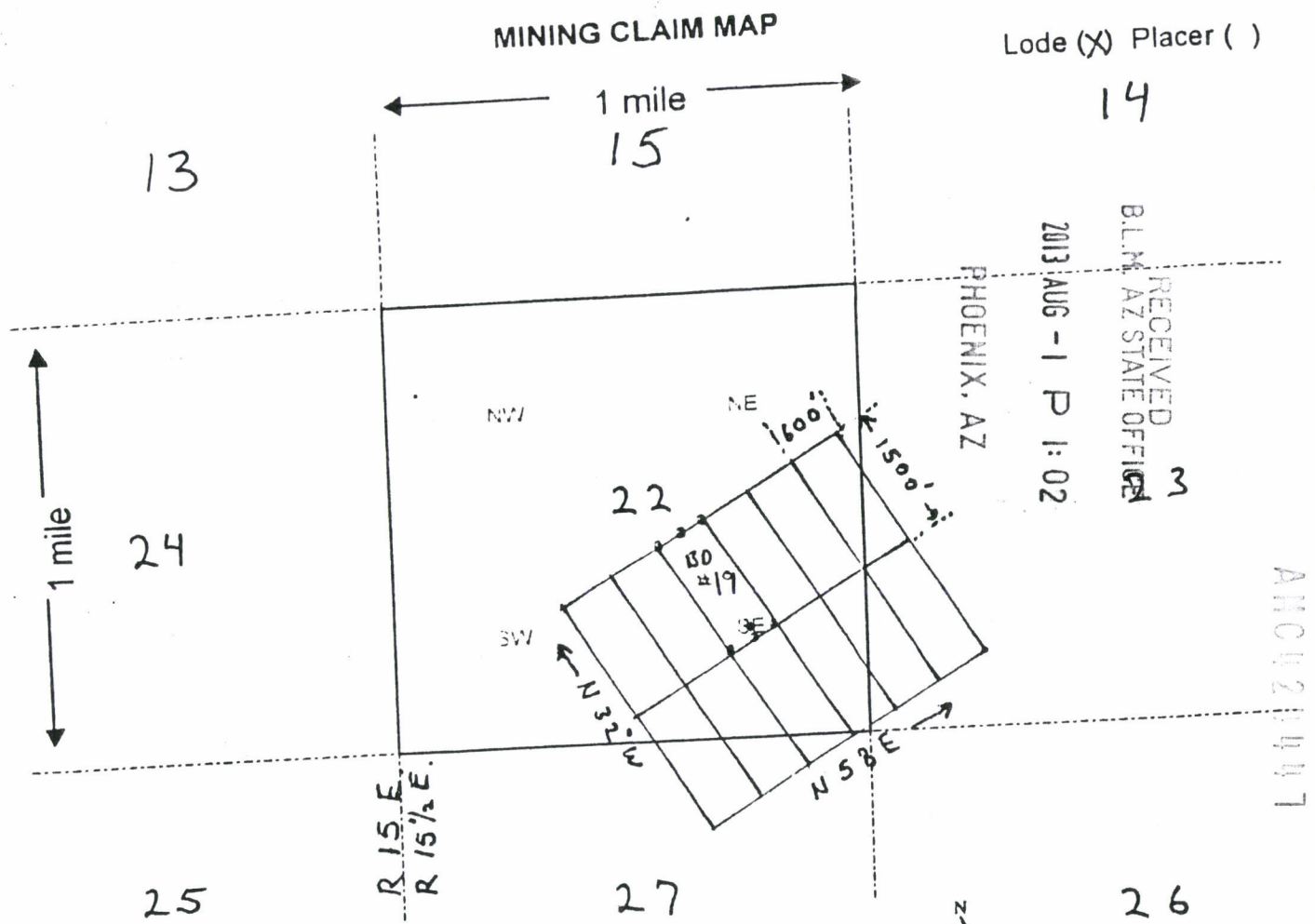
ANCH2447

The general course of this claim is N 32° W. and it is situated in Gila County, Arizona. This claim is 1500 feet in length and 600 feet in width. This claim runs from the location monument on which this location notice is posted approximately 20 feet in a S32E direction to the S end line and 1480 feet in a N32W direction to the N end line. This claim is marked by six monuments, one at each corner and one at the center of each end line of the claim.

The location monument on which this notice is posted is situated within Section 22, Township 2 N, Range 15 1/2 E, Gila Salt River Base and Meridian, Arizona and this claim encompasses portions of the following quarter section (s), section (s), Township (s) and Range (s) SE 1/4 Section 22 T. 2 N R 15 1/2 E

Gila Salt River Base and Meridian, Arizona. (unsurveyed)  
The locality of this claim with reference to some natural object or permanent monument and additional information (if any) concerning its locality are as follows: NW corner of claim is located 8180 ft East and 8130 ft South of brass cap monument at NW corner Section 13, T. 2 N. R 15 E

DATED AND POSTED on the ground this 22 day of July 2013.  
LOCATOR (s) Nick Barr  
Agent for Trueclaim Resources (us) Inc.



- Scale: 1" = 2000 feet
- The above map depicts the BD # 19 mining claim, which is located in Section (s) 22, Township 2 N, Range 15 1/2 E, Gila and Salt River Base and Meridian, Gila County, Arizona.
  - The type of corner and location monuments used are as follows: 2" x 2" x 4' wood posts
  - The bearings and distances in degrees and feet between claim corners are as depicted on the map.





After recording return to:

Nick Barr  
P.O. Box 6688  
Apache Junction, AZ  
85178



LOCATION NOTICE FOR LODE MINING CLAIM

NOTICE IS HEREBY GIVEN that the \_\_\_\_\_

BD # 20

\_\_\_\_\_ lode mining claim has been located

by Nick Barr (agent) whose current mailing

address is P.O. Box 6688

Apache Junction, AZ 85178

RECEIVED  
BLM, AZ STATE OFFICE  
2013 AUG -1 P 1:02  
PHOENIX, AZ  
BLM  
Date  
Stamp

AN042448

The general course of this claim is N 32° W. and it is situated in Gila

County, Arizona. This claim is 1500 feet in length and 600 feet in width. This claim runs

from the location monument on which this location notice is posted approximately 20 feet in a

N32W direction to the N end line and 1480 feet in a S32E direction to the

S end line. This claim is marked by six monuments, one at each corner and one at the center of each

end line of the claim. The location monument on which this notice is posted is situated within Section 22, Township 2

N, Range 15 1/2 E, Gila Salt River Base and Meridian, Arizona and this claim encompasses portions

of the following quarter section (s), section (s), Township (s) and Range (s) SE 1/4 Section 23, NE 1/4 Section 27 T. 2 N R 15 1/2 E

Gila Salt River Base and Meridian, Arizona. (unsurveyed)

The locality of this claim with reference to some natural object or permanent monument and additional information

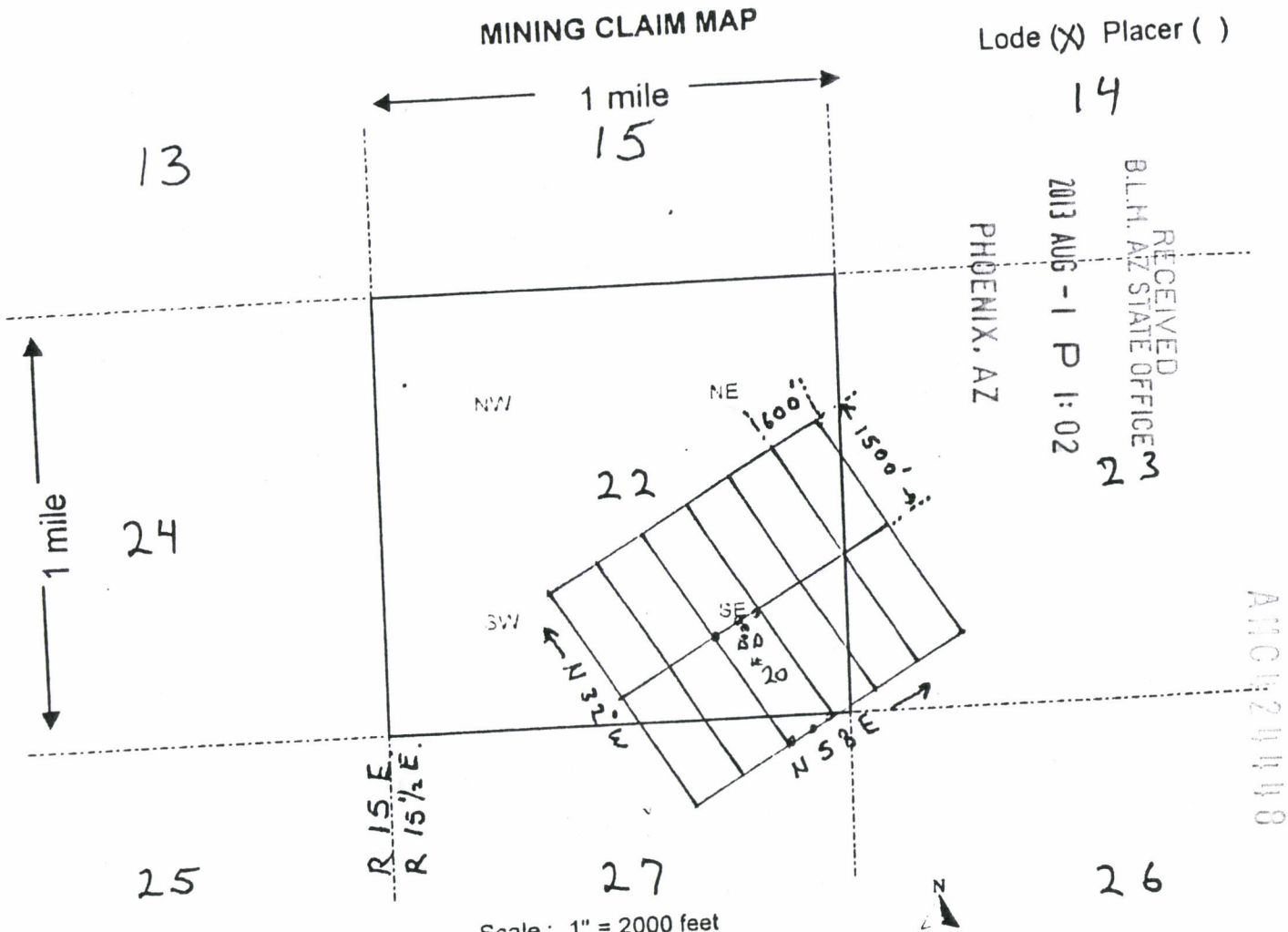
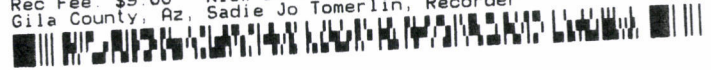
(if any) concerning its locality are as follows: NW corner of claim is located

8820 ft East and 9360 ft South of brass cap monument

at NW corner Section 13, T. 2 N. R 15 E

DATED AND POSTED on the ground this 22 day of July, 2013.

LOCATOR (s) Nick Barr  
Agent for Trueclaim Resources (us) Inc.



Scale: 1" = 2000 feet

1. The above map depicts the BD\* 20 mining claim, which is located in Section (s) 22 & 27, Township 2 N, Range 15 1/2 E, Gila and Salt River Base and Meridian, Gila County, Arizona.
2. The type of corner and location monuments used are as follows: 2" x 2" x 4' wood posts
3. The bearings and distances in degrees and feet between claim corners are as depicted on the map.

After recording return to:

Nick Barr  
P.O. Box 6688  
Apache Junction, AZ  
85178



LOCATION NOTICE FOR LODE MINING CLAIM

NOTICE IS HEREBY GIVEN that the BD # 21 lode mining claim has been located by Nick BARR (agent) whose current mailing address is P.O. Box 6688 Apache Junction, AZ 85178

RECEIVED  
BLM  
AZ STATE OFFICE  
2013 AUG - 1 P 1:02  
PHOENIX, AZ

AMC1121449

The general course of this claim is N 32° W. and it is situated in Gila County, Arizona. This claim is 1500 feet in length and 600 feet in width. This claim runs from the location monument on which this location notice is posted approximately 20 feet in a S32E direction to the S end line and 1480 feet in a N32W direction to the N end line. This claim is marked by six monuments, one at each corner and one at the center of each end line of the claim.

The location monument on which this notice is posted is situated within Section 22, Township 2 N, Range 15 1/2 E, Gila Salt River Base and Meridian, Arizona and this claim encompasses portions of the following quarter section (s), section (s), Township (s) and Range (s) SW & SE 1/4 Section 22 T. 2 N. R 15 1/2 E Gila Salt River Base and Meridian, Arizona. (unsurveyed)

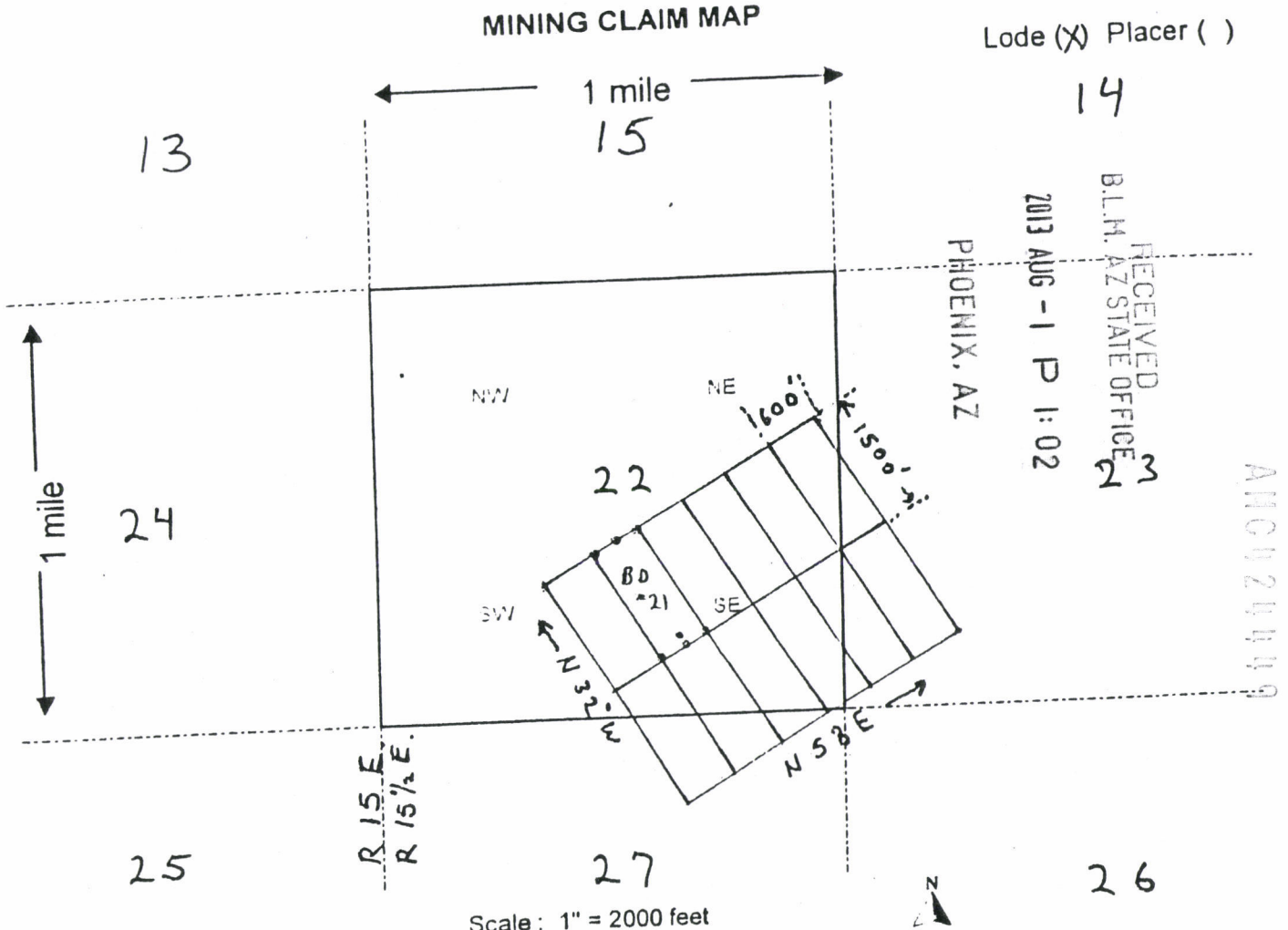
The locality of this claim with reference to some natural object or permanent monument and additional information (if any) concerning its locality are as follows: NW corner of claim is located 8200 ft East and 8390 ft South of brass cap monument at NW corner Section 13, T. 2 N. R 15 E

DATED AND POSTED on the ground this 22 day of July, 2013.

LOCATOR (s) Nick Barr  
Agent for Trueclaim Resources (us) Inc.



### MINING CLAIM MAP



- Scale: 1" = 2000 feet
- The above map depicts the BD \* 21 mining claim, which is located in Section (s) 22, Township 2 N, Range 15 1/2 E, Gila and Salt River Base and Meridian, Gila County, Arizona.
  - The type of corner and location monuments used are as follows: 2" x 2" x 4' wood posts
  - The bearings and distances in degrees and feet between claim corners are as depicted on the map.

After Recording return to:  
Nick Barr  
P.O. Box 6688  
Apache Junction, AZ  
85178



LOCATION NOTICE FOR LODE MINING CLAIM

NOTICE IS HEREBY GIVEN that the BD # 22 lode mining claim has been located by Nick Barr (agent) whose current mailing address is P.O. Box 6688 Apache Junction, AZ 85178

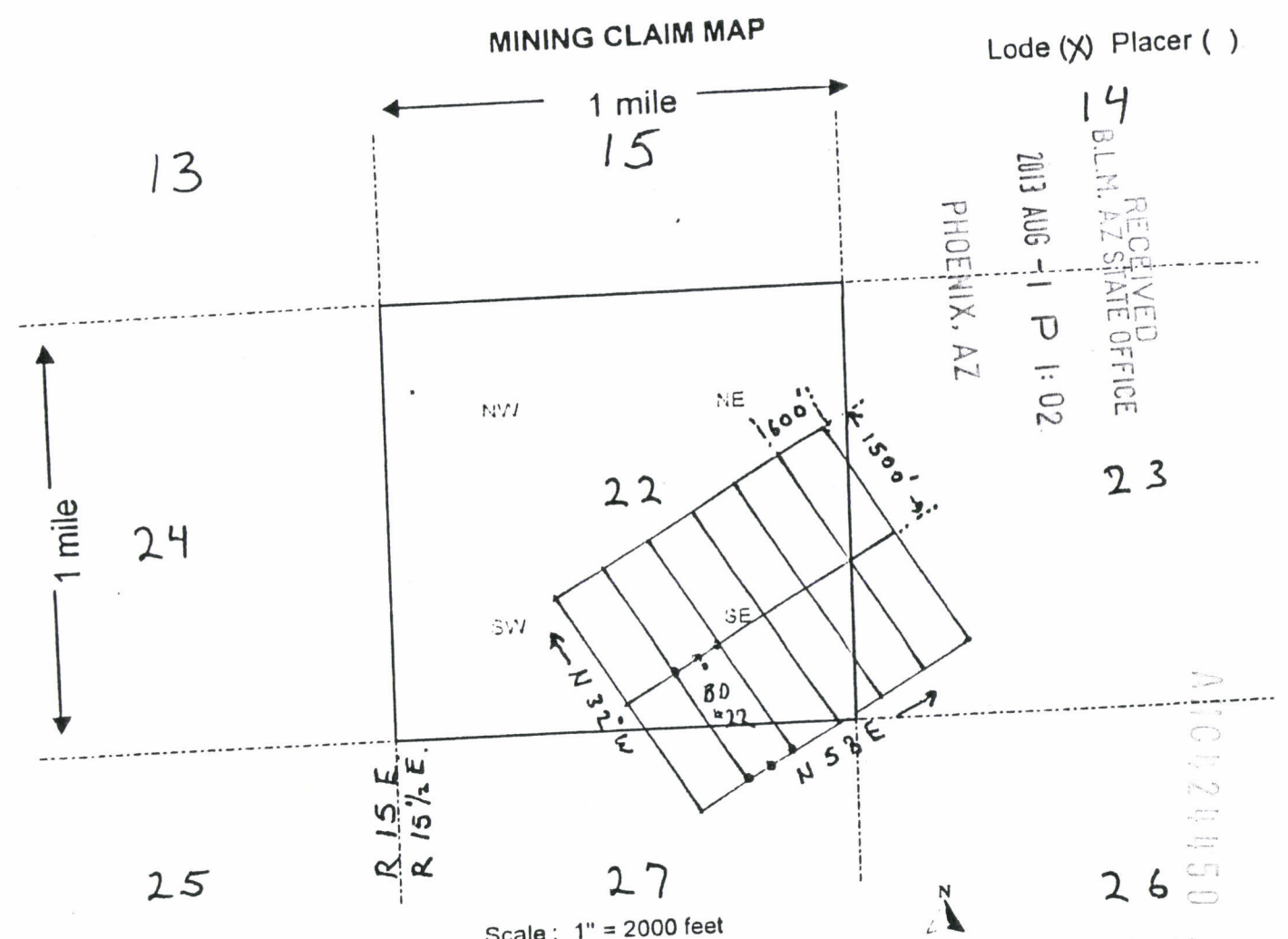
RECEIVED  
BLM, AZ STATE OFFICE  
PHOENIX, AZ  
2013 AUG - 1 P 1:02  
BLM  
Date  
Stamp

The general course of this claim is N 32° W. and it is situated in Gila County, Arizona. This claim is 1500 feet in length and 600 feet in width. This claim runs from the location monument on which this location notice is posted approximately 20 feet in a N32W direction to the N end line and 1480 feet in a S32E direction to the S end line. This claim is marked by six monuments, one at each corner and one at the center of each end line of the claim.

The location monument on which this notice is posted is situated within Section 22, Township 2 N, Range 15 1/2 E, Gila Salt River Base and Meridian, Arizona and this claim encompasses portions of the following quarter section (s), section (s), Township (s) and Range (s) SE 1/4 Section 22, NE 1/4 Section 27 T. 2 N R 15 1/2 E Gila Salt River Base and Meridian, Arizona. (unsurveyed)

The locality of this claim with reference to some natural object or permanent monument and additional information (if any) concerning its locality are as follows: NW corner of claim is located 7410 ft East and 96.55 ft South of brass cap monument at NW corner Section 13, T. 2 N. R 15 E

DATED AND POSTED on the ground this 22 day of July, 2013.  
LOCATOR (s) Nick Barr  
Agent for Trueclaim Resources (us) Inc.



1. The above map depicts the BD\* 22 mining claim, which is located in Section (s) 22 & 27, Township 2 N, Range 15 1/2 E, Gila and Salt River Base and Meridian, Gila County, Arizona.
2. The type of corner and location monuments used are as follows: 2" x 2" x 4' wood posts
3. The bearings and distances in degrees and feet between claim corners are as depicted on the map.

After Recording return to:

Nick Barr  
P.O. Box 6688  
Apache Junction, AZ  
85178



LOCATION NOTICE FOR LODE MINING CLAIM

NOTICE IS HEREBY GIVEN that the BD # 23 lode mining claim has been located by Nick Barr (agent) whose current mailing address is P.O. Box 6688 Apache Junction, AZ 85178

RECEIVED  
BLM, AZ STATE OFFICE  
2013 AUG - 1 P 1:02  
PHOENIX, AZ  
BLM Date Stamp

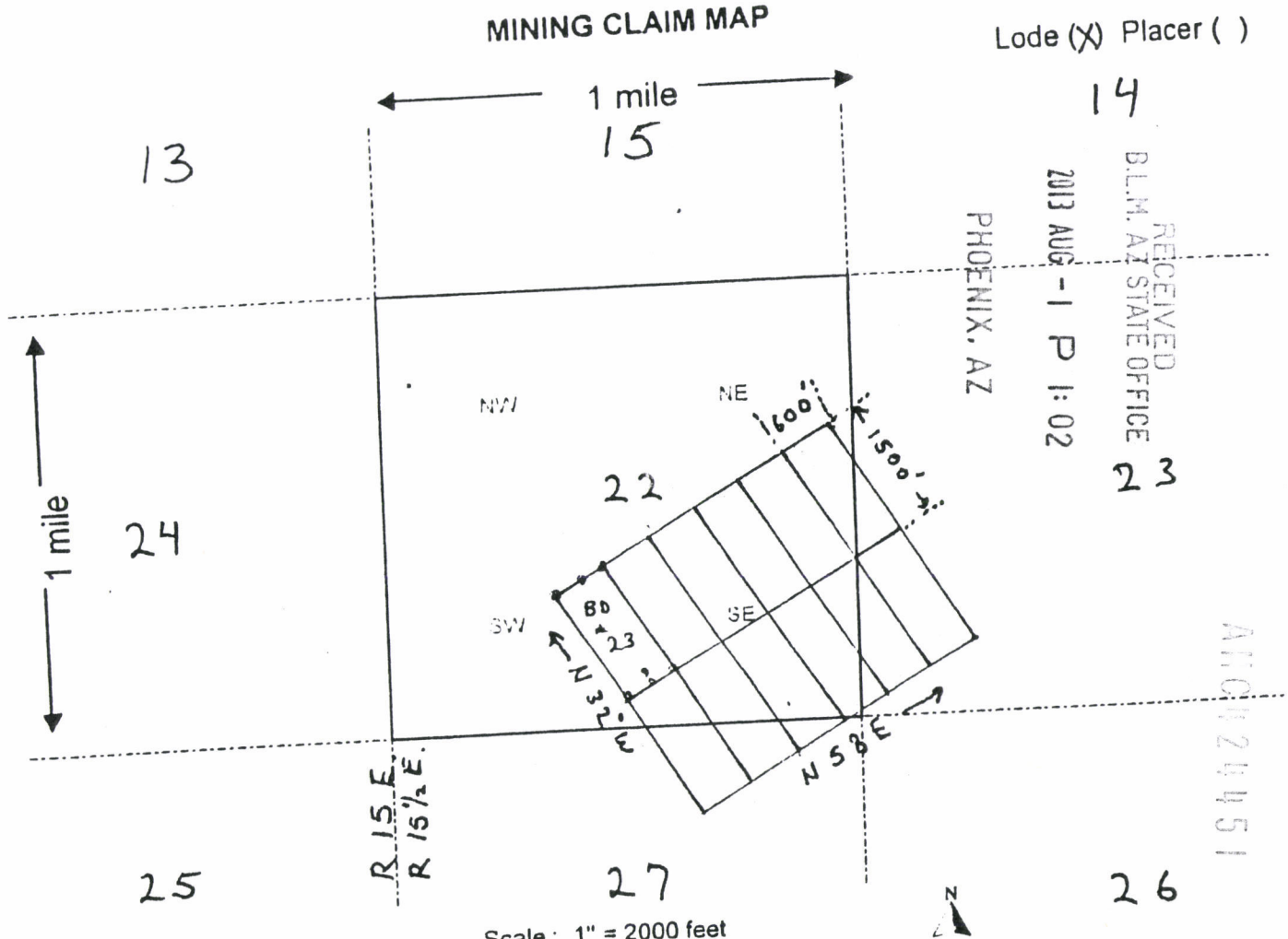
AR0024451

The general course of this claim is N 32° W. and it is situated in Gila County, Arizona. This claim is 1500 feet in length and 600 feet in width. This claim runs from the location monument on which this location notice is posted approximately 20 feet in a S 32 E direction to the S end line and 1480 feet in a N 32 W direction to the N end line. This claim is marked by six monuments, one at each corner and one at the center of each end line of the claim.

The location monument on which this notice is posted is situated within Section 22, Township 2 N, Range 15 1/2 E, Gila Salt River Base and Meridian, Arizona and this claim encompasses portions of the following quarter section (s), section (s), Township (s) and Range (s) SE 1/4 Section 22 T. 2 N R 15 1/2 E Gila Salt River Base and Meridian, Arizona. (unsurveyed)

The locality of this claim with reference to some natural object or permanent monument and additional information (if any) concerning its locality are as follows: NW corner of claim is located 7090 ft East and 8740 ft South of brass cap monument at NW corner Section 13, T. 2 N. R 15 E

DATED AND POSTED on the ground this 22 day of July, 2013.  
LOCATOR (s) Nick Barr  
Agent for Trueclaim Resources (us) Inc.



Lode (X) Placer ( )

14

2013 AUG -1 P 1:02

RECEIVED  
B.L.M. AZ STATE OFFICE  
23

110124451

Scale: 1" = 2000 feet

- The above map depicts the BD\* 23 mining claim, which is located in Section (s) 22, Township 2 N, Range 15 1/2 E, Gila and Salt River Base and Meridian, Gila County, Arizona.
- The type of corner and location monuments used are as follows: 2" x 2" x 4' wood posts
- The bearings and distances in degrees and feet between claim corners are as depicted on the map.



After recording return to:  
Nick Barr  
P.O. Box 6688  
Apache Junction, AZ  
85178



LOCATION NOTICE FOR LODE MINING CLAIM

NOTICE IS HEREBY GIVEN that the BD # 24 lode mining claim has been located by Nick Barr (agent) whose current mailing address is P.O. Box 6688 Apache Junction, AZ 85178

RECEIVED  
BLM, AZ STATE OFFICE  
2013 AUG - 1 P 1:02  
PHOENIX, AZ  
BLM Date Stamp

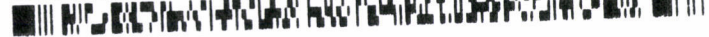
AM0824452

The general course of this claim is N 32° W. and it is situated in Gila County, Arizona. This claim is 1500 feet in length and 600 feet in width. This claim runs from the location monument on which this location notice is posted approximately 20 feet in a N32W direction to the N end line and 1480 feet in a S32E direction to the S end line. This claim is marked by six monuments, one at each corner and one at the center of each end line of the claim.

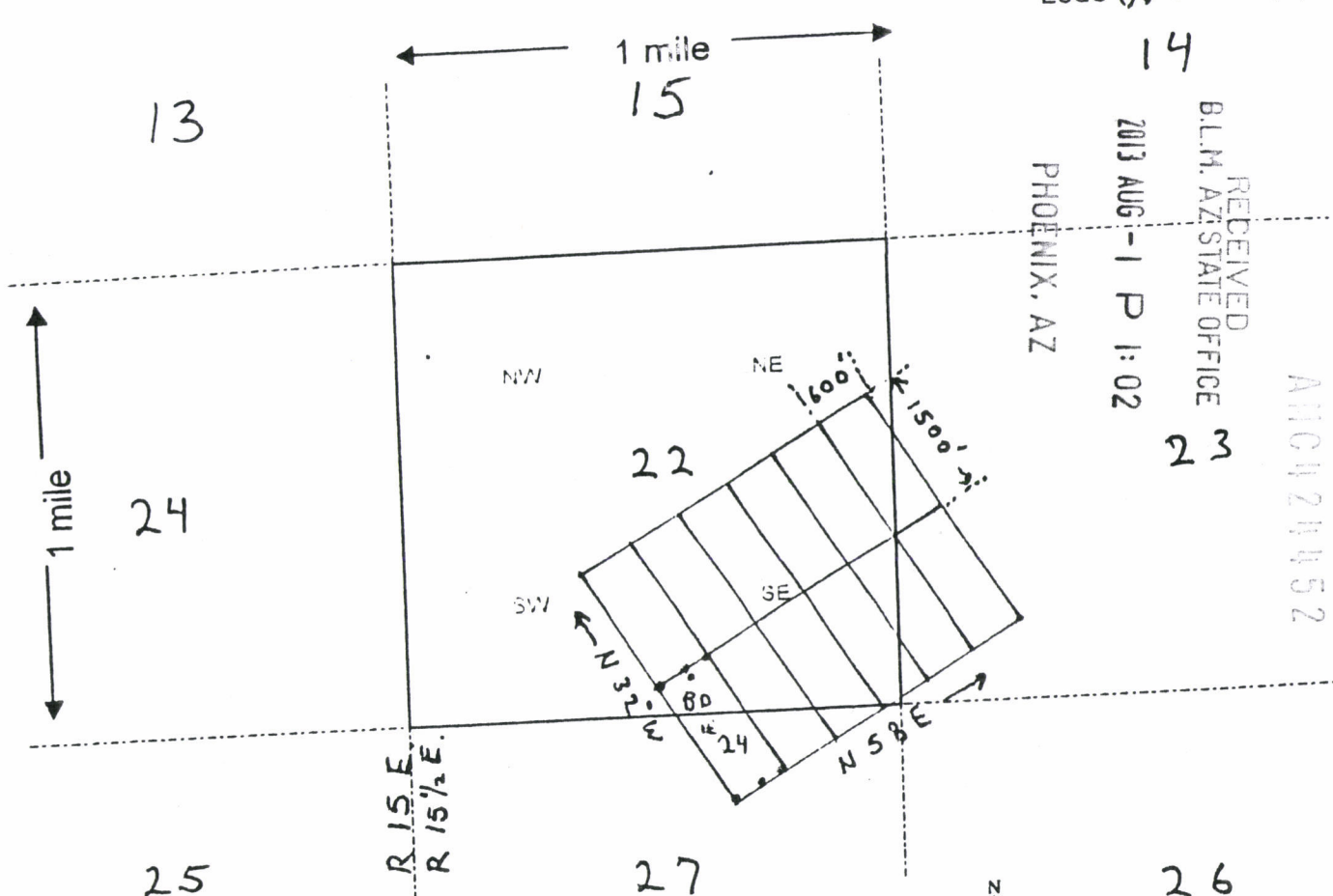
The location monument on which this notice is posted is situated within Section 22, Township 2 N, Range 15 1/2 E, Gila Salt River Base and Meridian, Arizona and this claim encompasses portions of the following quarter section (s), section (s), Township (s) and Range (s) SE 1/4 Section 22, NE 1/4 Section 27 T. 2 N R 15 1/2 E Gila Salt River Base and Meridian, Arizona. (unsurveyed)

The locality of this claim with reference to some natural object or permanent monument and additional information (if any) concerning its locality are as follows: NW corner of claim is located 7880 ft East and 9980 ft South of brass cap monument at NW corner Section 13, T. 2 N. R 15 E

DATED AND POSTED on the ground this 22 day of July, 2013.  
LOCATOR (s) Nick Barr  
Agent for Trueclaim Resources (US) Inc.



MINING CLAIM MAP



Lode (X) Placer ( )

14

2013 AUG - 1 P 1:02

RECEIVED  
B.L.M. AZ STATE OFFICE

AMC424452

Scale: 1" = 2000 feet

- The above map depicts the BD\* 24 mining claim, which is located in Section (s) 22, 27, Township 2 N, Range 15 1/2 E, Gila and Salt River Base and Meridian, Gila County, Arizona.
- The type of corner and location monuments used are as follows: 2" x 2" x 4' wood posts
- The bearings and distances in degrees and feet between claim corners are as depicted on the map.



After recording return to:

Nick Barr  
P.O. Box 6688  
Apache Junction, AZ  
85178



LOCATION NOTICE FOR LODE MINING CLAIM

NOTICE IS HEREBY GIVEN that the BD # 25 lode mining claim has been located by Nick Barr (Agent) whose current mailing address is P.O. Box 6688  
Apache Junction, AZ 85178.

RECEIVED  
BLM, AZ STATE OFFICE  
2013 AUG - 1 P 1:02  
PHOENIX, AZ  
BLM Date Stamp

AN0421453

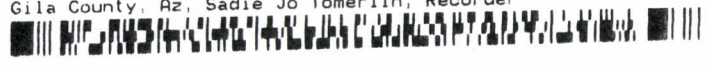
The general course of this claim is N.32°W. and it is situated in Gila County, Arizona. This claim is 1500 feet in length and 600 feet in width. This claim runs from the location monument on which this location notice is posted approximately 20 feet in a S32E direction to the S end line and 1480 feet in a N32W direction to the N end line. This claim is marked by six monuments, one at each corner and one at the center of each end line of the claim.

The location monument on which this notice is posted is situated within Section 15, Township 2 N, Range 15 1/2 E., Gila Salt River Base and Meridian, Arizona and this claim encompasses portions of the following quarter section (s), section (s), Township (s) and Range (s) NW, SW & SE 1/4 Section 15 T. 2 N. R. 15 1/2 E. Gila Salt River Base and Meridian, Arizona. (unsurveyed)

The locality of this claim with reference to some natural object or permanent monument and additional information (if any) concerning its locality are as follows: NW corner of claim is located 6500 ft East and 2000 ft South of brass cap at NW corner section 13, T. 2 N. R 15 E

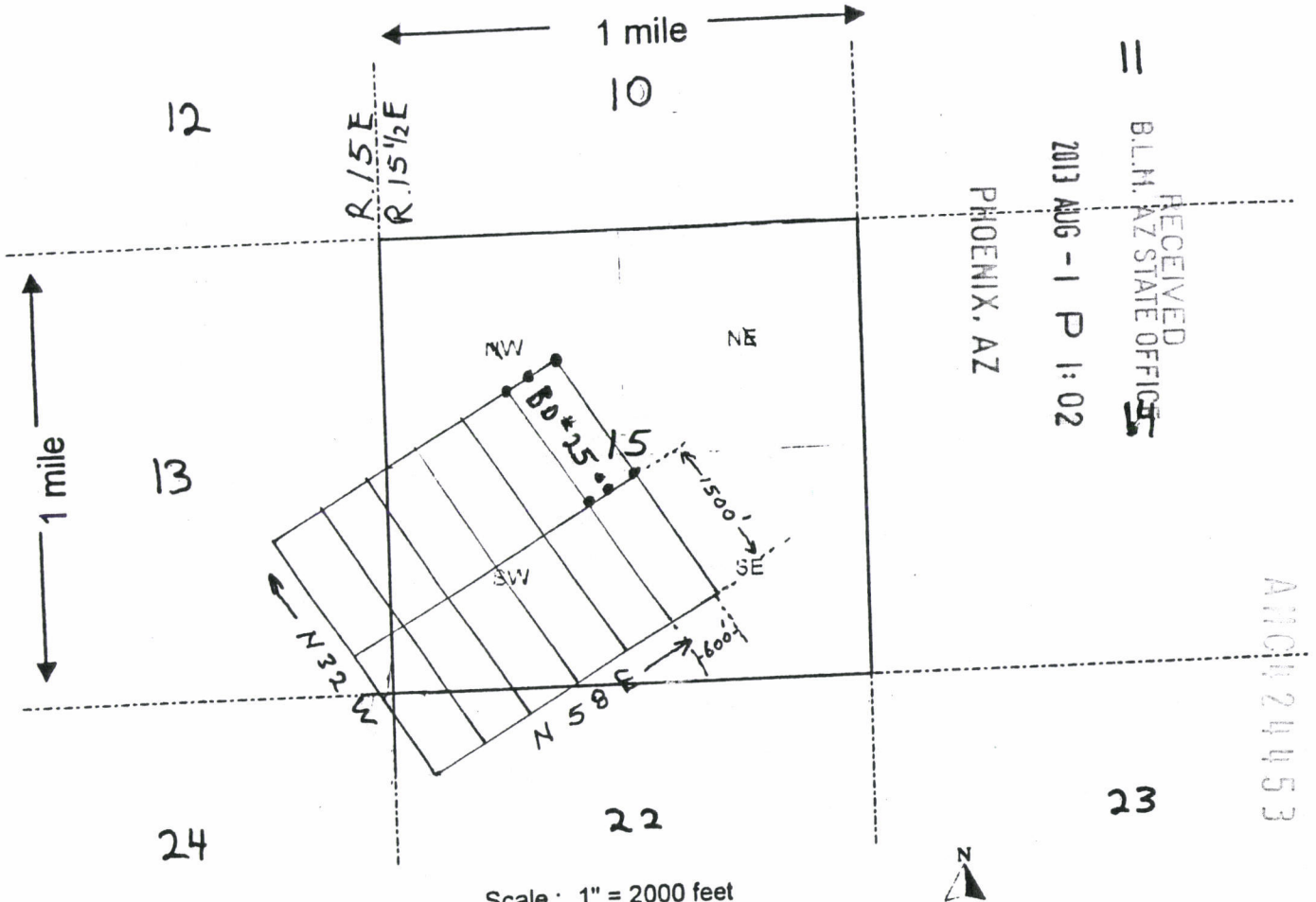
DATED AND POSTED on the ground this 7<sup>th</sup> day of July, 2013.

LOCATOR (s) Nick Barr  
Agent for Trueclaim Resources (us) Inc



MINING CLAIM MAP

Lode (X) Placer ( )



RECEIVED  
 B.L.H. AZ STATE OFFICE  
 2013 AUG - 1 P 1:02  
 PHOENIX, AZ

A100424453

Scale: 1" = 2000 feet

- The above map depicts the BD # 25 mining claim, which is located in Section (s) 15, Township 2 N., Range 15 1/2 E, Gila and Salt River Base and Meridian, Gila County, Arizona.
- The type of corner and location monuments used are as follows: 2" x 2" x 4' wood posts
- The bearings and distances in degrees and feet between claim corners are as depicted on the map.



After recording return to:

Nick Barr  
P.O. Box 6688  
Apache Junction, AZ  
85178



LOCATION NOTICE FOR LODE MINING CLAIM

NOTICE IS HEREBY GIVEN that the \_\_\_\_\_

BD # 26 lode mining claim has been located

by Nick Barr (Agent) whose current mailing

address is P.O. Box 6688

Apache Junction, AZ 85178.

RECEIVED  
BLM, AZ STATE OFFICE  
2013 AUG - 1 P 1:02  
PHOENIX, AZ  
BLM  
Date  
Stamp

The general course of this claim is N. 32° W. and it is situated in Gila

County, Arizona. This claim is 1500 feet in length and 600 feet in width. This claim runs

from the location monument on which this location notice is posted approximately 20 feet in a

N32W direction to the N end line and 1480 feet in a S32E direction to the

S end line. This claim is marked by six monuments, one at each corner and one at the center of each

end line of the claim. The location monument on which this notice is posted is situated within Section 15, Township 2

N, Range 15 1/2 E, Gila Salt River Base and Meridian, Arizona and this claim encompasses portions

of the following quarter section (s), section (s), Township (s) and Range (s) SW 1 SE 1/4 Section 15

T. 2 N. R. 15 1/2 E.  
Gila Salt River Base and Meridian, Arizona. (unsurveyed)

The locality of this claim with reference to some natural object or permanent monument and additional information

(if any) concerning its locality are as follows: NW corner of claim is located

7300 ft East and 3220 ft South of brass cap at

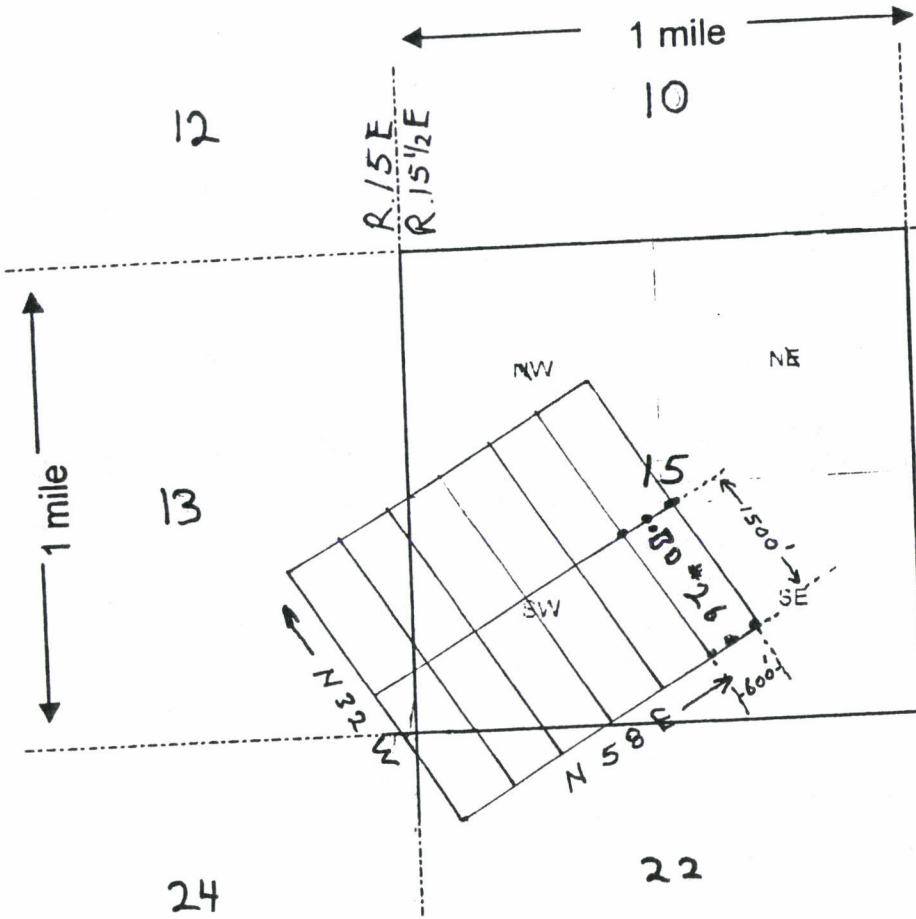
Nw corner section 13, T. 2 N. R. 15 E

DATED AND POSTED on the ground this 7<sup>th</sup> day of July, 2013.

LOCATOR (s) Nick Barr  
Agent for Trueclaim Resources (us) Inc

AN0424451

**MINING CLAIM MAP**



Lode (X) Placer ( )

11  
 RECEIVED  
 B.L.M. AZ STATE OFFICE  
 2013 AUG - 1 P 1:02  
 PHOENIX, AZ

A110424154

Scale: 1" = 2000 feet

- The above map depicts the BD # 26 mining claim, which is located in Section (s) 15, Township 2 N., Range 15 1/2 E, Gila and Salt River Base and Meridian, Gila County, Arizona.
- The type of corner and location monuments used are as follows: 2" x 2" x 4' wood posts
- The bearings and distances in degrees and feet between claim corners are as depicted on the map.



After recording return To:

Nick Barr  
P.O. Box 6688  
Apache Junction, AZ  
85178



LOCATION NOTICE FOR LODE MINING CLAIM

NOTICE IS HEREBY GIVEN that the BD # 27 lode mining claim has been located by Nick Barr (Agent) whose current mailing address is P.O. Box 6688  
Apache Junction, AZ 85178.

RECEIVED  
BLM, AZ STATE OFFICE  
2013 AUG - 1 P 1:02  
PHOENIX, AZ  
BLM  
Date  
Stamp

ANCH124455

The general course of this claim is N. 32° W. and it is situated in Gila County, Arizona. This claim is 1500 feet in length and 600 feet in width. This claim runs from the location monument on which this location notice is posted approximately 20 feet in a S32E direction to the S end line and 1480 feet in a N32W direction to the N end line. This claim is marked by six monuments, one at each corner and one at the center of each end line of the claim.

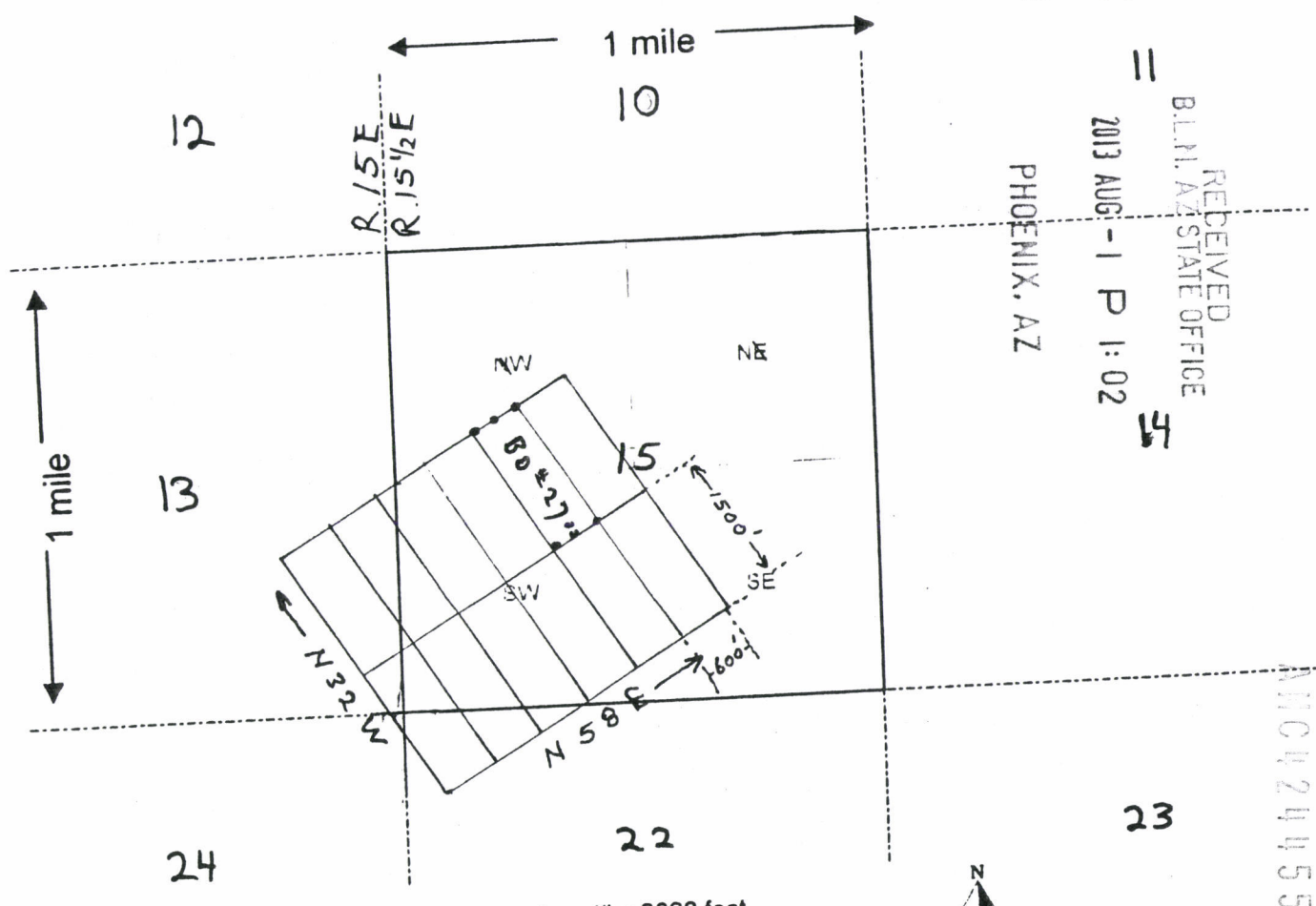
The location monument on which this notice is posted is situated within Section 15, Township 2 N, Range 15 1/2 E., Gila Salt River Base and Meridian, Arizona and this claim encompasses portions of the following quarter section (s), section (s), Township (s) and Range (s) NW 1/4 Section 15 T. 2 N. R. 15 1/2 E. Gila Salt River Base and Meridian, Arizona. (un surveyed)

The locality of this claim with reference to some natural object or permanent monument and additional information (if any) concerning its locality are as follows: NW corner of claim is located 5980 ft East and 2310 ft South of brass cap at NW corner section 13, T. 2 N. R 15 E

DATED AND POSTED on the ground this 7<sup>th</sup> day of July, 2013.

LOCATOR (s) Nick Barr  
Agent for Trueclaim Resources (us) Inc

**MINING CLAIM MAP**



Scale: 1" = 2000 feet

- The above map depicts the BD # 27 mining claim, which is located in Section (s) 15, Township 2 N., Range 15 1/2 E, Gila and Salt River Base and Meridian, Gila County, Arizona.
- The type of corner and location monuments used are as follows: 2" x 2" x 4' wood posts
- The bearings and distances in degrees and feet between claim corners are as depicted on the map.

A110424455





After recording return to:

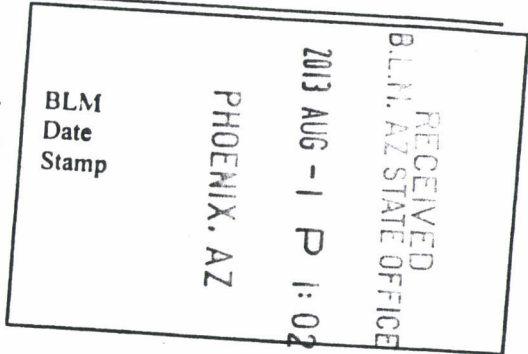
Nick Barr  
P.O. Box 6688  
Apache Junction, AZ  
85178



LOCATION NOTICE FOR LODE MINING CLAIM

NOTICE IS HEREBY GIVEN that the BD # 28 lode mining claim has been located

by Nick Barr (Agent) whose current mailing address is P.O. Box 6688  
Apache Junction, AZ 85178.



The general course of this claim is N. 32° W. and it is situated in Gila County, Arizona. This claim is 1500 feet in length and 600 feet in width. This claim runs from the location monument on which this location notice is posted approximately 20 feet in a N32W direction to the N end line and 1480 feet in a S32E direction to the S end line. This claim is marked by six monuments, one at each corner and one at the center of each end line of the claim.

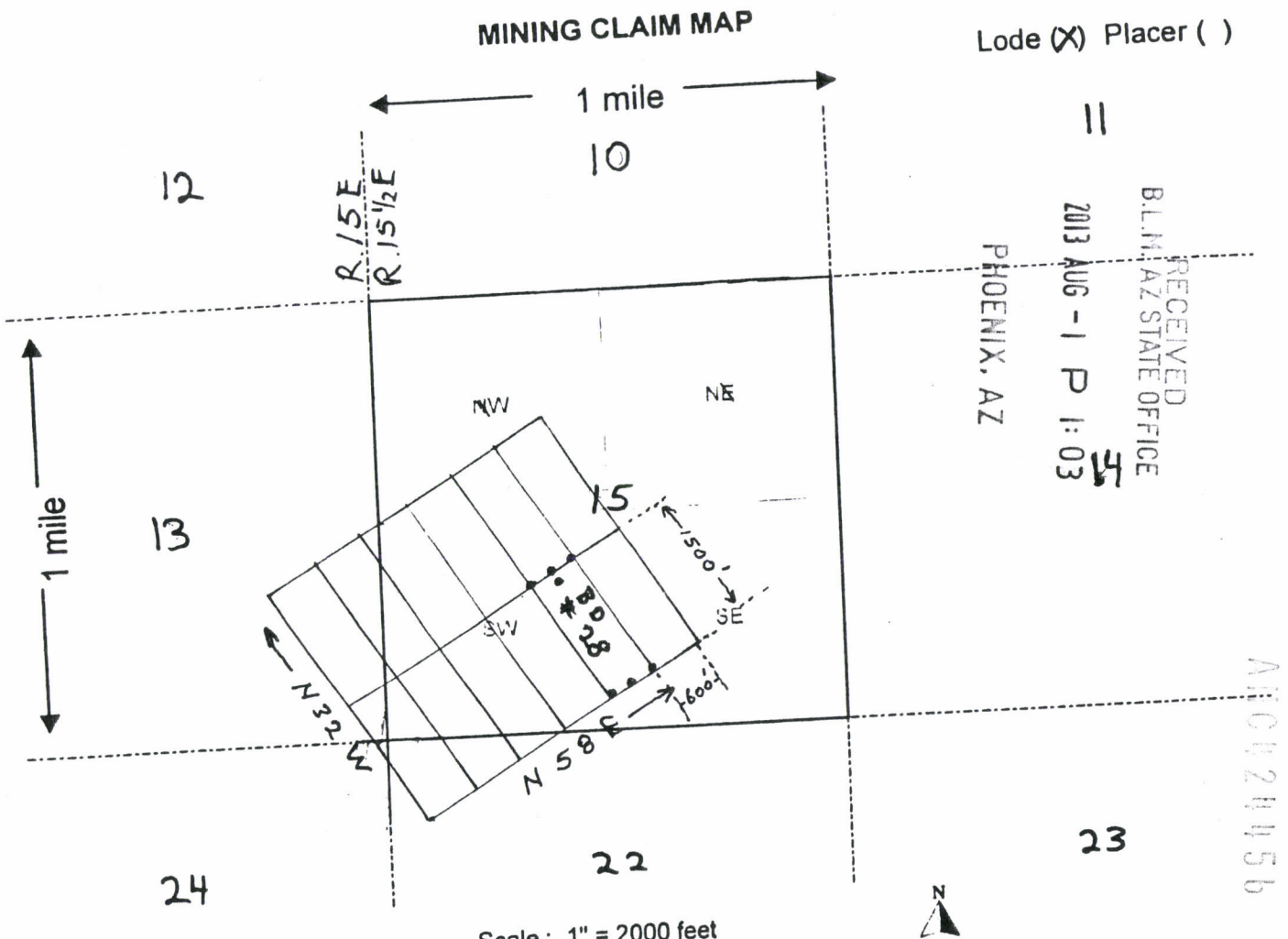
The location monument on which this notice is posted is situated within Section 15, Township 2 N, Range 15 1/2 E, Gila Salt River Base and Meridian, Arizona and this claim encompasses portions of the following quarter section (s), section (s), Township (s) and Range (s) SE 1/4 Section 15 T. 2 N. R. 15 1/2 E.

Gila Salt River Base and Meridian, Arizona. (un surveyed)  
The locality of this claim with reference to some natural object or permanent monument and additional information (if any) concerning its locality are as follows: NW corner of claim is located 6800 ft East and 3550 ft South of brass cap at NW corner section 13, T. 2 N. R. 15 E

DATED AND POSTED on the ground this 7<sup>th</sup> day of July, 2013.

LOCATOR (s) Nick Barr  
Agent for Trueclaim Resources (us) INC

AR0124456



A110121156

Scale: 1" = 2000 feet

- The above map depicts the BD # 28 mining claim, which is located in Section (s) 15, Township 2 N., Range 15 1/2 E, Gila and Salt River Base and Meridian, Gila County, Arizona.
- The type of corner and location monuments used are as follows: 2" x 2" x 4' wood posts
- The bearings and distances in degrees and feet between claim corners are as depicted on the map.

After recording return to:  
Nick Barr  
P.O. Box 6688  
Apache Junction, AZ  
85178



LOCATION NOTICE FOR LODE MINING CLAIM

RECEIVED  
BLM, AZ STATE OFFICE

2013 AUG - 1 P 1:03

PHOENIX, AZ

BLM  
Date  
Stamp

NOTICE IS HEREBY GIVEN that the BD # 29 lode mining claim has been located by Nick Barr (Agent) whose current mailing address is P.O. Box 6688  
Apache Junction, AZ 85178.

The general course of this claim is N. 32° W. and it is situated in Gila County, Arizona. This claim is 1500 feet in length and 600 feet in width. This claim runs from the location monument on which this location notice is posted approximately 20 feet in a S32E direction to the S end line and 1480 feet in a N32W direction to the N end line. This claim is marked by six monuments, one at each corner and one at the center of each end line of the claim.

The location monument on which this notice is posted is situated within Section 15, Township 2 N, Range 15 1/2 E., Gila Salt River Base and Meridian, Arizona and this claim encompasses portions of the following quarter section (s), section (s), Township (s) and Range (s) NW 1/4 & SW 1/4 Section 15 T. 2 N. R. 15 1/2 E.  
Gila Salt River Base and Meridian, Arizona. (unsurveyed)

The locality of this claim with reference to some natural object or permanent monument and additional information (if any) concerning its locality are as follows: NW corner of claim is located 5450 ft East and 2600 ft South of brass cap at NW corner section 13, T. 2 N. R. 15 E

DATED AND POSTED on the ground this 7<sup>th</sup> day of July, 2013.

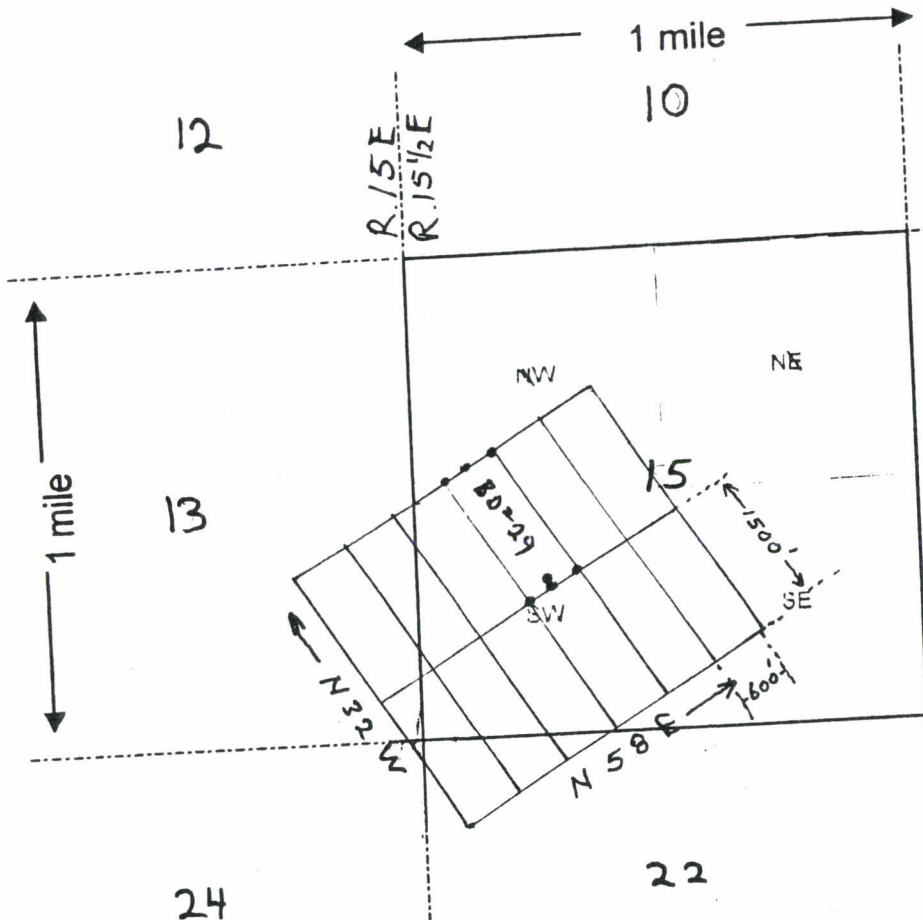
LOCATOR (s) Nick Barr  
Agent for Trueclaim Resources (us) INC

AR10121157



**MINING CLAIM MAP**

Lode (X) Placer ( )



11  
 RECEIVED  
 B.L.H. AZ STATE OFFICE  
 2013 AUG - 1 P 1:03  
 PHOENIX, AZ

A10124457

Scale: 1" = 2000 feet

- The above map depicts the BD # 29 mining claim, which is located in Section (s) 15, Township 2 N., Range 15 1/2 E, Gila and Salt River Base and Meridian, Gila County, Arizona.
- The type of corner and location monuments used are as follows: 2" x 2" x 4' wood posts
- The bearings and distances in degrees and feet between claim corners are as depicted on the map.



After recording return to:

Nick Barr  
P.O. Box 6688  
Apache Junction, AZ  
85178



LOCATION NOTICE FOR LODE MINING CLAIM

NOTICE IS HEREBY GIVEN that the \_\_\_\_\_

BD # 30 lode mining claim has been located  
by Nick Barr (Agent) whose current mailing  
address is P.O. Box 6688  
Apache Junction, AZ 85178.

RECEIVED  
BLM  
AZ STATE OFFICE  
2013 AUG - 1 P 1:03  
PHOENIX, AZ  
BLM  
Date  
Stamp

The general course of this claim is N.32°W. and it is situated in Gila  
County, Arizona. This claim is 1500 feet in length and 600 feet in width. This claim runs  
from the location monument on which this location notice is posted approximately 20 feet in a  
N32W direction to the N end line and 1480 feet in a S32E direction to the  
S end line. This claim is marked by six monuments, one at each corner and one at the center of each  
end line of the claim.

The location monument on which this notice is posted is situated within Section 15, Township 2  
N, Range 15 1/2 E., Gila Salt River Base and Meridian, Arizona and this claim encompasses portions  
of the following quarter section (s), section (s), Township (s) and Range (s) \_\_\_\_\_  
SW 1/4 Section 15 T. 2 N. R. 15 1/2 E.  
Gila Salt River Base and Meridian, Arizona. (unsurveyed)

The locality of this claim with reference to some natural object or permanent monument and additional information  
(if any) concerning its locality are as follows: NW corner of claim is located  
6250 ft East and 3850 ft South of brass cap at  
Nw corner section 13, T. 2 N. R 15 E

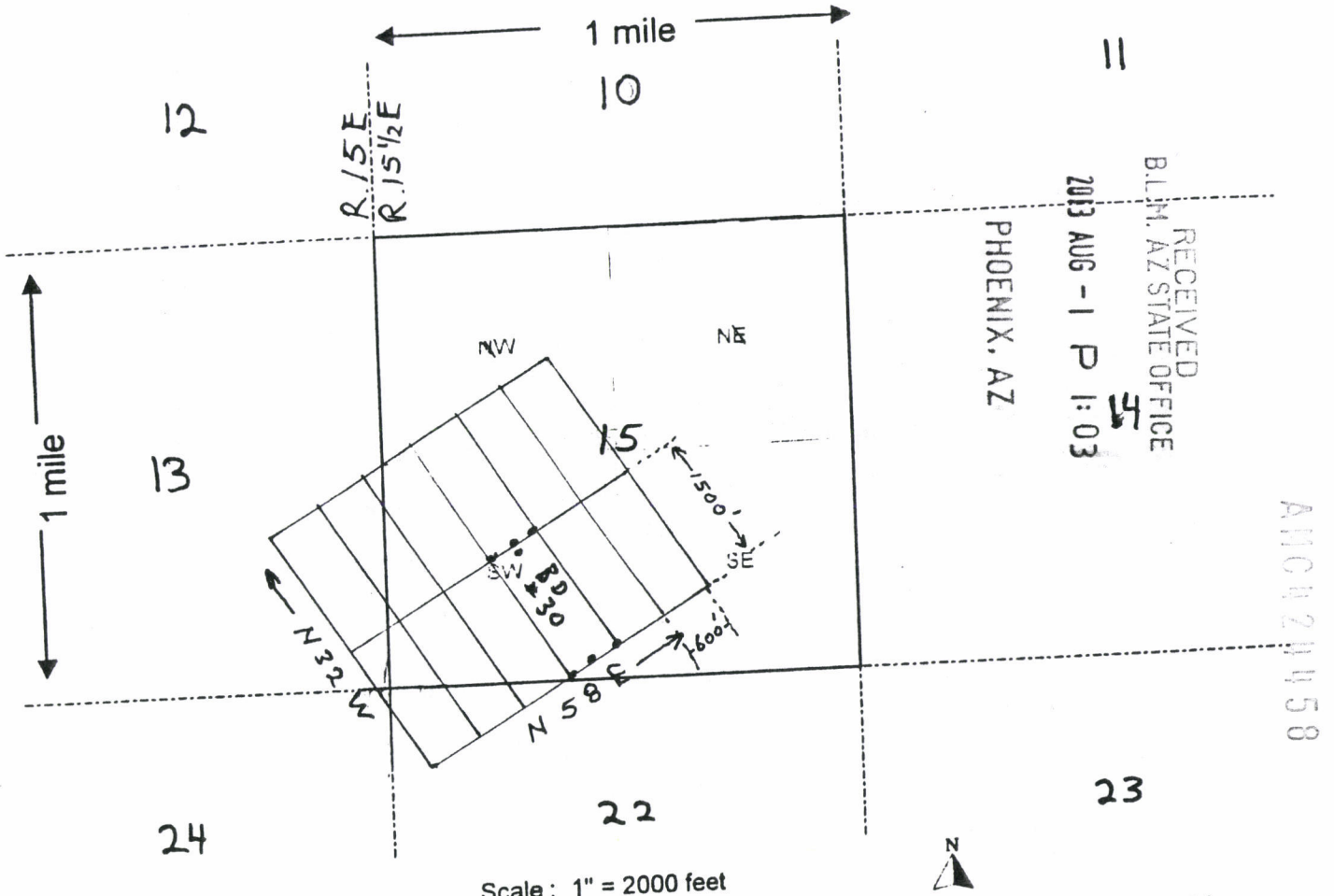
DATED AND POSTED on the ground this 7<sup>th</sup> day of July, 2013.

LOCATOR (s) Nick Barr  
Agent for Trueclaim Resources (us) Inc

AI10124458

**MINING CLAIM MAP**

Lode (X) Placer ( )



Scale: 1" = 2000 feet

- The above map depicts the BD # 30 mining claim, which is located in Section (s) 15, Township 2 N., Range 15 1/2 E, Gila and Salt River Base and Meridian, Gila County, Arizona.
- The type of corner and location monuments used are as follows: 2" x 2" x 4' wood posts
- The bearings and distances in degrees and feet between claim corners are as depicted on the map.



After recording return to:

Nick Barr  
P.O. Box 6688  
Apache Junction, AZ  
85178



LOCATION NOTICE FOR LODE MINING CLAIM

NOTICE IS HEREBY GIVEN that the \_\_\_\_\_

BD # 31 lode mining claim has been located

by Nick Barr (Agent) whose current mailing

address is P.O. Box 6688

Apache Junction, AZ 85178.

RECEIVED  
B.L.M. AZ STATE OFFICE  
2013 AUG - 1 P 1:03  
PHOENIX, AZ  
BLM  
Date  
Stamp

The general course of this claim is N.32°W. and it is situated in Gila

County, Arizona. This claim is 1500 feet in length and 600 feet in width. This claim runs

from the location monument on which this location notice is posted approximately 20 feet in a

S32E direction to the S end line and 1480 feet in a N32W direction to the

N end line. This claim is marked by six monuments, one at each corner and one at the center of each end line of the claim.

The location monument on which this notice is posted is situated within Section 15, Township 2

N, Range 15 1/2 E., Gila Salt River Base and Meridian, Arizona and this claim encompasses portions

of the following quarter section (s), section (s), Township (s) and Range (s) SE 1/4 Sec 13 T.2N.

R15E SW 1/4 Sec 15 T.2N. R.15 1/2 E.  
Gila Salt River Base and Meridian, Arizona. (un-surveyed)

The locality of this claim with reference to some natural object or permanent monument and additional information

(if any) concerning its locality are as follows: NW corner of claim is located

4970 ft East and 2920 ft South of brass cap at

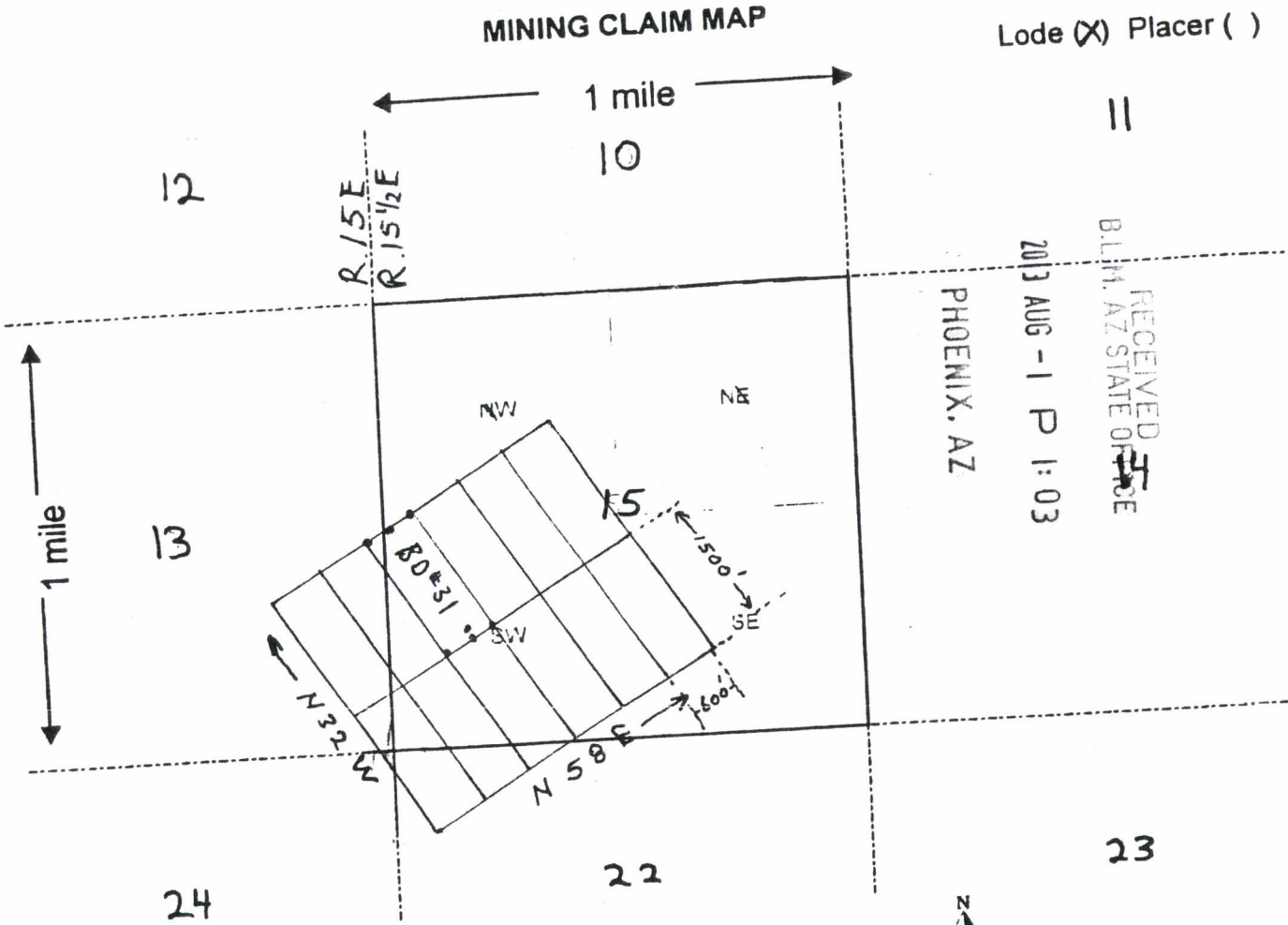
Nw corner section 13, T.2N. R15E

DATED AND POSTED on the ground this 7<sup>th</sup> day of July, 2013

LOCATOR (s) Nick Barr  
Agent for Trueclaim Resources (us) Inc

ANCH21459

**MINING CLAIM MAP**



Lode (X) Placer ( )

RECEIVED  
 BLM, AZ STATE OFFICE  
 2013 AUG - 1 P 1:03  
 PHOENIX, AZ

AMC124459

Scale: 1" = 2000 feet

- The above map depicts the BD # 31 mining claim, which is located in Section (s) 15, Township 2 N., Range 15 1/2 E, Gila and Salt River Base and Meridian, Gila County, Arizona. Section 13, T.2N., R.15E
- The type of corner and location monuments used are as follows: 2" x 2" x 4' wood posts
- The bearings and distances in degrees and feet between claim corners are as depicted on the map.





After recording return to:

Nick Barr  
P.O. Box 6688  
Apache Junction, AZ  
85178



LOCATION NOTICE FOR LODE MINING CLAIM

NOTICE IS HEREBY GIVEN that the \_\_\_\_\_

BD # 32 lode mining claim has been located

by Nick Barr (Agent) whose current mailing

address is P.O. Box 6688

Apache Junction, AZ 85178.

RECEIVED  
BLM, AZ STATE OFFICE  
2013 AUG - 1 P 1:03  
PHOENIX, AZ  
BLM  
Date  
Stamp

The general course of this claim is N. 32° W. and it is situated in Gila County, Arizona. This claim is 1500 feet in length and 600 feet in width. This claim runs

from the location monument on which this location notice is posted approximately 20 feet in a N32W direction to the N end line and 1480 feet in a S32E direction to the S end line. This claim is marked by six monuments, one at each corner and one at the center of each end line of the claim.

The location monument on which this notice is posted is situated within Section 15, Township 2 N, Range 15 1/2 E, Gila Salt River Base and Meridian, Arizona and this claim encompasses portions of the following quarter section (s), section (s), Township (s) and Range (s) \_\_\_\_\_

SW 1/4 Sec 15, NW 1/4 Sec 22 T. 2 N. R. 15 1/2 E.  
Gila Salt River Base and Meridian, Arizona. (unsurveyed)

The locality of this claim with reference to some natural object or permanent monument and additional information (if any) concerning its locality are as follows: NW corner of claim is located 5770 ft East and 4160ft South of brass cap at NW corner section 13, T. 2 N. R 15 E

DATED AND POSTED on the ground this 7<sup>th</sup> day of July, 2013

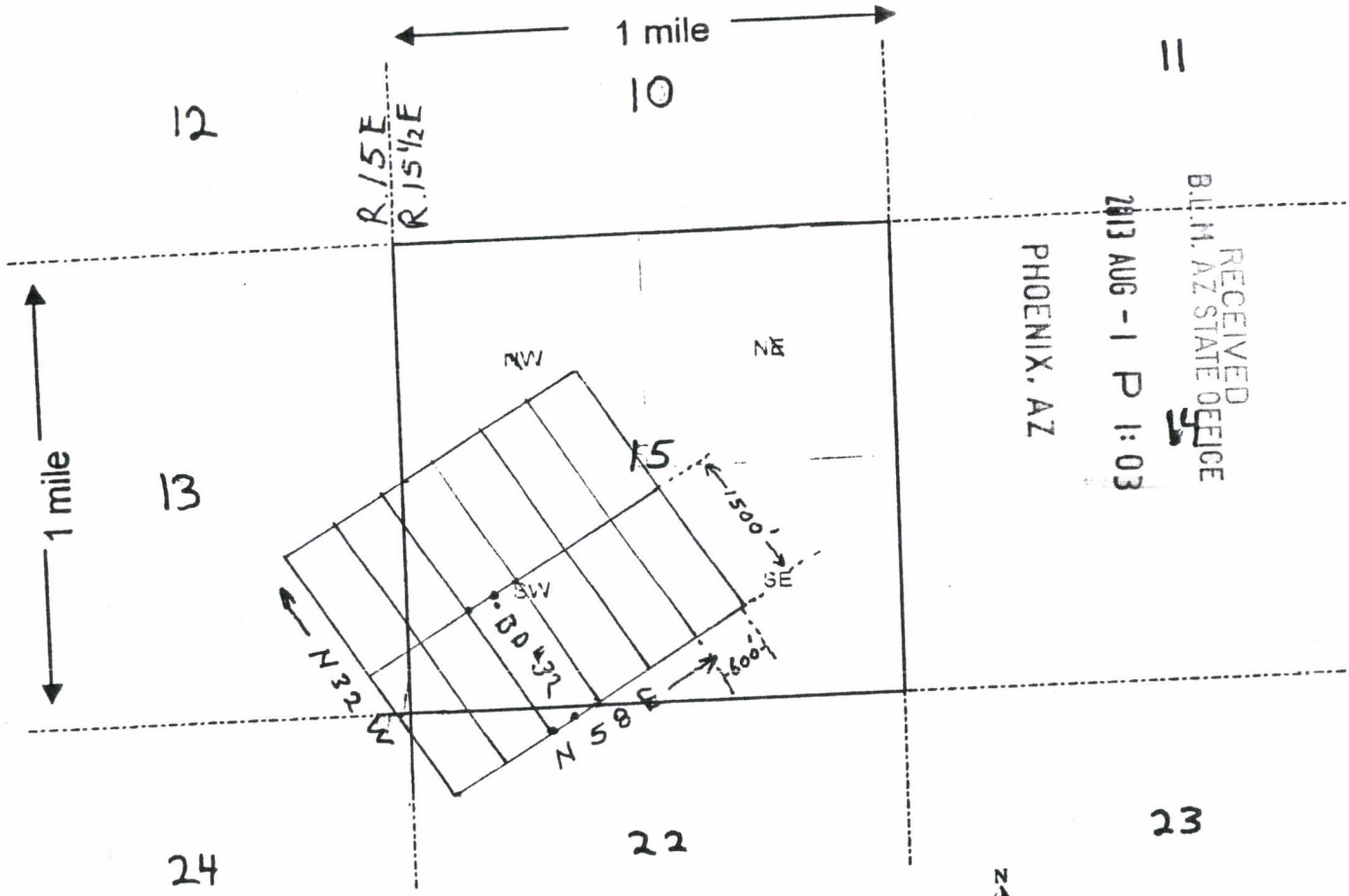
LOCATOR (s) Nick Barr  
Agent for Trueclaim Resources (us) Inc

1101424460



### MINING CLAIM MAP

Lode (X) Placer ( )



PHOENIX, AZ

RECEIVED  
 B.L.M. AZ STATE OFFICE  
 2013 AUG - 1 P 1:03

AN10124460

Scale: 1" = 2000 feet

- The above map depicts the BD # 32 mining claim, which is located in Section (s) 15 & 22, Township 2 N., Range 15 1/2 E, Gila and Salt River Base and Meridian, Gila County, Arizona.
- The type of corner and location monuments used are as follows: 2" x 2" x 4' wood posts
- The bearings and distances in degrees and feet between claim corners are as depicted on the map.



After recording return to:

Nick Barr  
P.O. Box 6688  
Apache Junction, AZ  
85178



LOCATION NOTICE FOR LODE MINING CLAIM

NOTICE IS HEREBY GIVEN that the \_\_\_\_\_

BD # 33 lode mining claim has been located

by Nick Barr (Agent) whose current mailing

address is P.O. Box 6688

Apache Junction, AZ 85178.

RECEIVED  
BLM, AZ STATE OFFICE  
2013 AUG - 1 P 1:03  
PHOENIX, AZ  
BLM  
Date  
Stamp

The general course of this claim is N. 32° W. and it is situated in Gila

County, Arizona. This claim is 1500 feet in length and 600 feet in width. This claim runs

from the location monument on which this location notice is posted approximately 20 feet in a

S32E direction to the S end line and 1480 feet in a N32W direction to the

N end line. This claim is marked by six monuments, one at each corner and one at the center of each end line of the claim.

The location monument on which this notice is posted is situated within Section 15, Township 2

N, Range 15 1/2 E, Gila Salt River Base and Meridian, Arizona and this claim encompasses portions

of the following quarter section (s), section (s), Township (s) and Range (s) SE 1/4 Section 13  
T. 2 N., R. 15 E SW 1/4 Section 15 T. 2 N. R. 15 1/2 E.

Gila Salt River Base and Meridian, Arizona. (un surveyed)

The locality of this claim with reference to some natural object or permanent monument and additional information

(if any) concerning its locality are as follows: NW corner of claim is located  
4470 ft East and 3200 ft South of brass cap at  
Nw corner section 13, T. 2 N. R. 15 E

DATED AND POSTED on the ground this 7<sup>th</sup> day of July, 2013

LOCATOR (s) Nick Barr

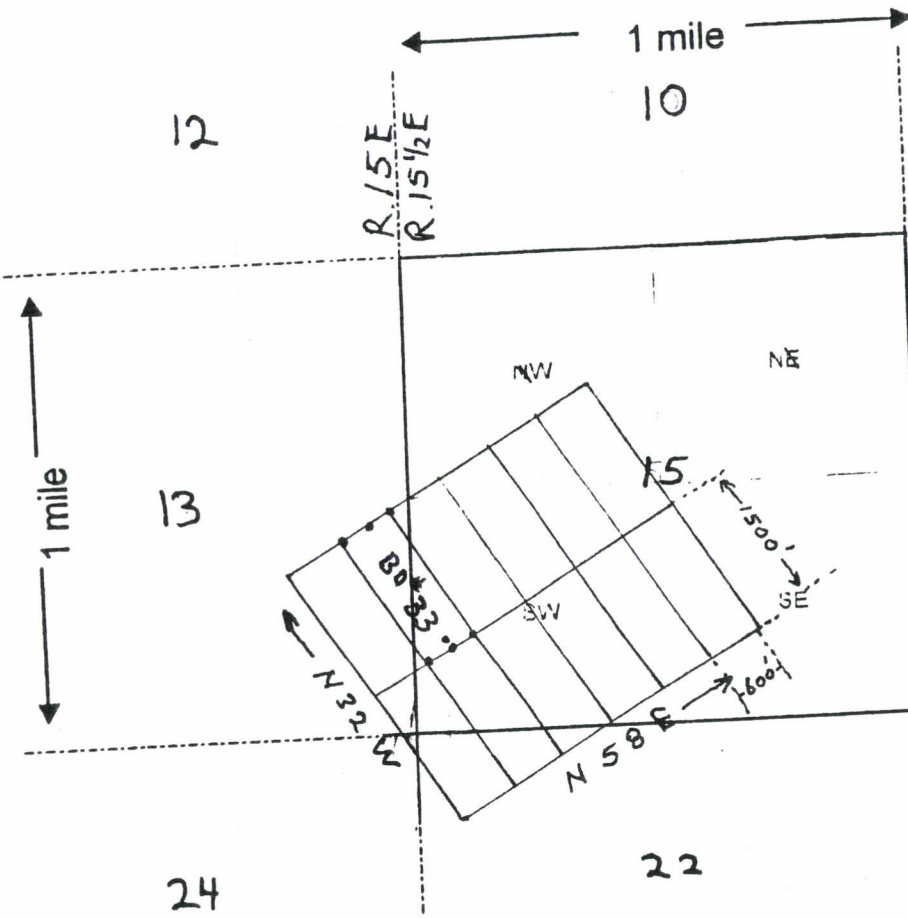
Agent for Trueclaim Resources (us) Inc

APC124461



MINING CLAIM MAP

Lode (X) Placer ( )



11

2013 AUG - 1 P 1:03

RECEIVED  
 B.L.H. AZ STATE OFFICE

PHOENIX, AZ

ANCH21461

Scale: 1" = 2000 feet

- The above map depicts the BD # 33 mining claim, which is located in Section (s) 15, Township 2 N., Range 15 1/2 E, Gila and Salt River Base and Meridian, Gila County, Arizona. and Section 13, T. 2 N., R. 15 E.
- The type of corner and location monuments used are as follows: 2" x 2" x 4' wood posts
- The bearings and distances in degrees and feet between claim corners are as depicted on the map.



After recording return to:

Nick Barr  
P.O. Box 6688  
Apache Junction, AZ  
85178



LOCATION NOTICE FOR LODE MINING CLAIM

NOTICE IS HEREBY GIVEN that the \_\_\_\_\_

BD # 34 lode mining claim has been located

by Nick Barr (Agent) whose current mailing

address is P.O. Box 6688

Apache Junction, AZ 85178.

RECEIVED  
BLM, AZ STATE OFFICE  
2013 AUG - 1 P 1:03  
PHOENIX, AZ  
BLM  
Date  
Stamp

The general course of this claim is N. 32° W. and it is situated in Gila

County, Arizona. This claim is 1500 feet in length and 600 feet in width. This claim runs

from the location monument on which this location notice is posted approximately 20 feet in a

N32W direction to the N end line and 1480 feet in a S32E direction to the

S end line. This claim is marked by six monuments, one at each corner and one at the center of each end line of the claim.

The location monument on which this notice is posted is situated within Section 15, Township 2

N, Range 15 1/2 E, Gila Salt River Base and Meridian, Arizona and this claim encompasses portions

of the following quarter section (s), section (s), Township (s) and Range (s) \_\_\_\_\_

SW 1/4 Section 15, NW 1/4 Section 22 T. 2 N. R. 15 1/2 E.

Gila Salt River Base and Meridian, Arizona. (un surveyed)

The locality of this claim with reference to some natural object or permanent monument and additional information

(if any) concerning its locality are as follows: NW corner of claim is located

5250 ft East and 4500 ft South of brass cap at

NW corner section 13, T. 2 N. R. 15 E

DATED AND POSTED on the ground this 7<sup>th</sup> day of July, 2013

LOCATOR (s) Nick Barr

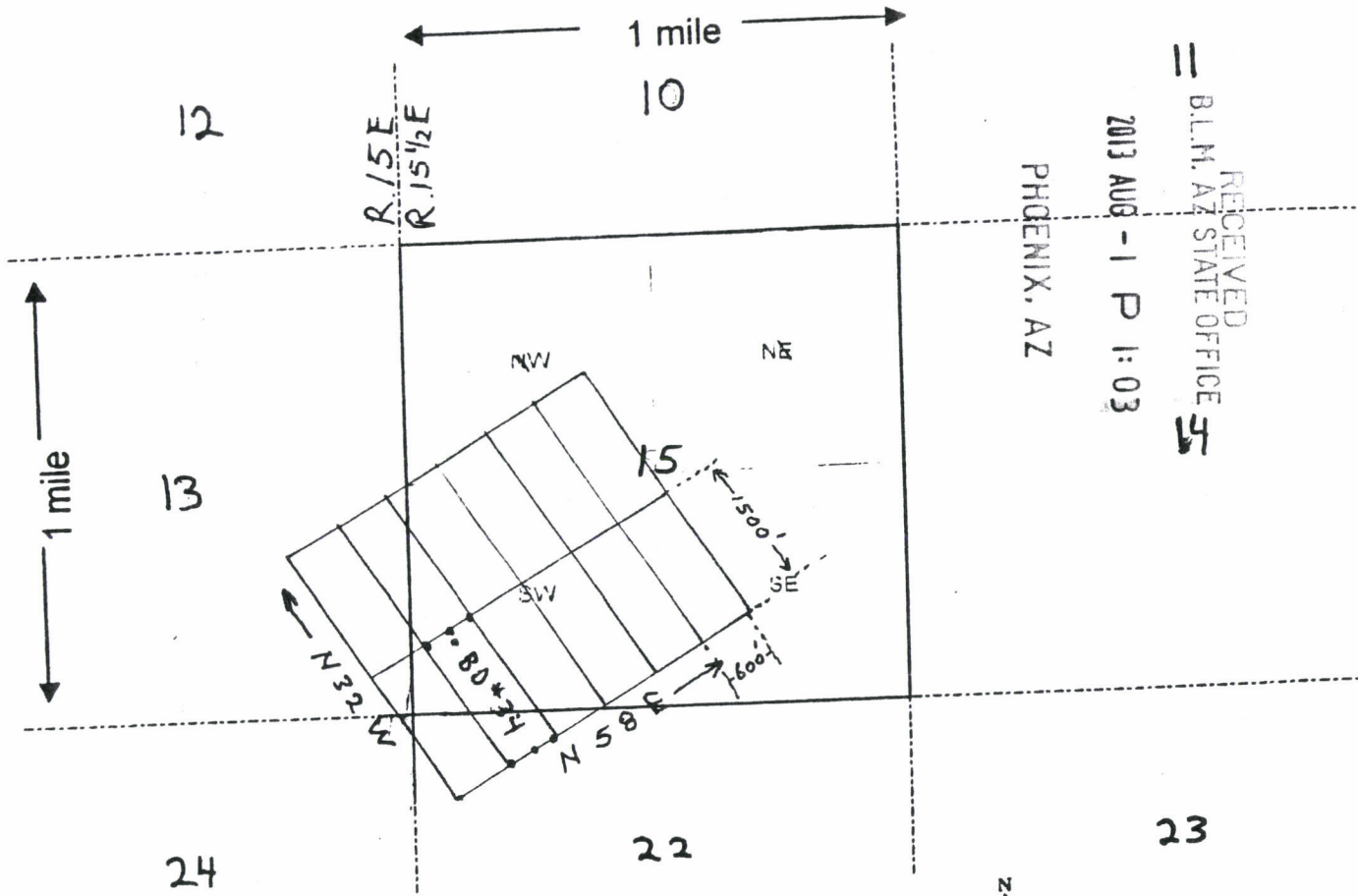
Agent for Trueclaim Resources (us) Inc

AI10424462



**MINING CLAIM MAP**

Lode (X) Placer ( )



RECEIVED  
 B.L.M. AZ STATE OFFICE  
 2013 AUG -1 P 1:03  
 PHOENIX, AZ

A110124462

Scale: 1" = 2000 feet

- The above map depicts the BD # 34 mining claim, which is located in Section (s) 15, Township 2 N., Range 15 1/2 E, Gila and Salt River Base and Meridian, Gila County, Arizona.
- The type of corner and location monuments used are as follows: 2" x 2" x 4' wood posts
- The bearings and distances in degrees and feet between claim corners are as depicted on the map.

After recording return to:

Nick Barr  
P.O. Box 6688  
Apache Junction, AZ  
85178



LOCATION NOTICE FOR LODE MINING CLAIM

NOTICE IS HEREBY GIVEN that the \_\_\_\_\_

BD # 35 lode mining claim has been located

by Nick Barr (Agent) whose current mailing

address is P.O. Box 6688

Apache Junction, AZ 85178.

RECEIVED  
BLM, AZ STATE OFFICE  
2013 AUG - 1 P 1:03  
PHOENIX, AZ  
BLM  
Date  
Stamp

The general course of this claim is N. 32° W. and it is situated in Gila County, Arizona. This claim is 1500 feet in length and 600 feet in width. This claim runs

from the location monument on which this location notice is posted approximately 20 feet in a S32E direction to the S end line and 1480 feet in a N32W direction to the N end line. This claim is marked by six monuments, one at each corner and one at the center of each end line of the claim.

The location monument on which this notice is posted is situated within Section 13, Township 2 N, Range 15 E, Gila Salt River Base and Meridian, Arizona and this claim encompasses portions

of the following quarter section (s), section (s), Township (s) and Range (s) SW 1/4 Section 15  
T. 2 N. R. 15 E. SE 1/4 Section 13  
Gila Salt River Base and Meridian, Arizona. (un surveyed)

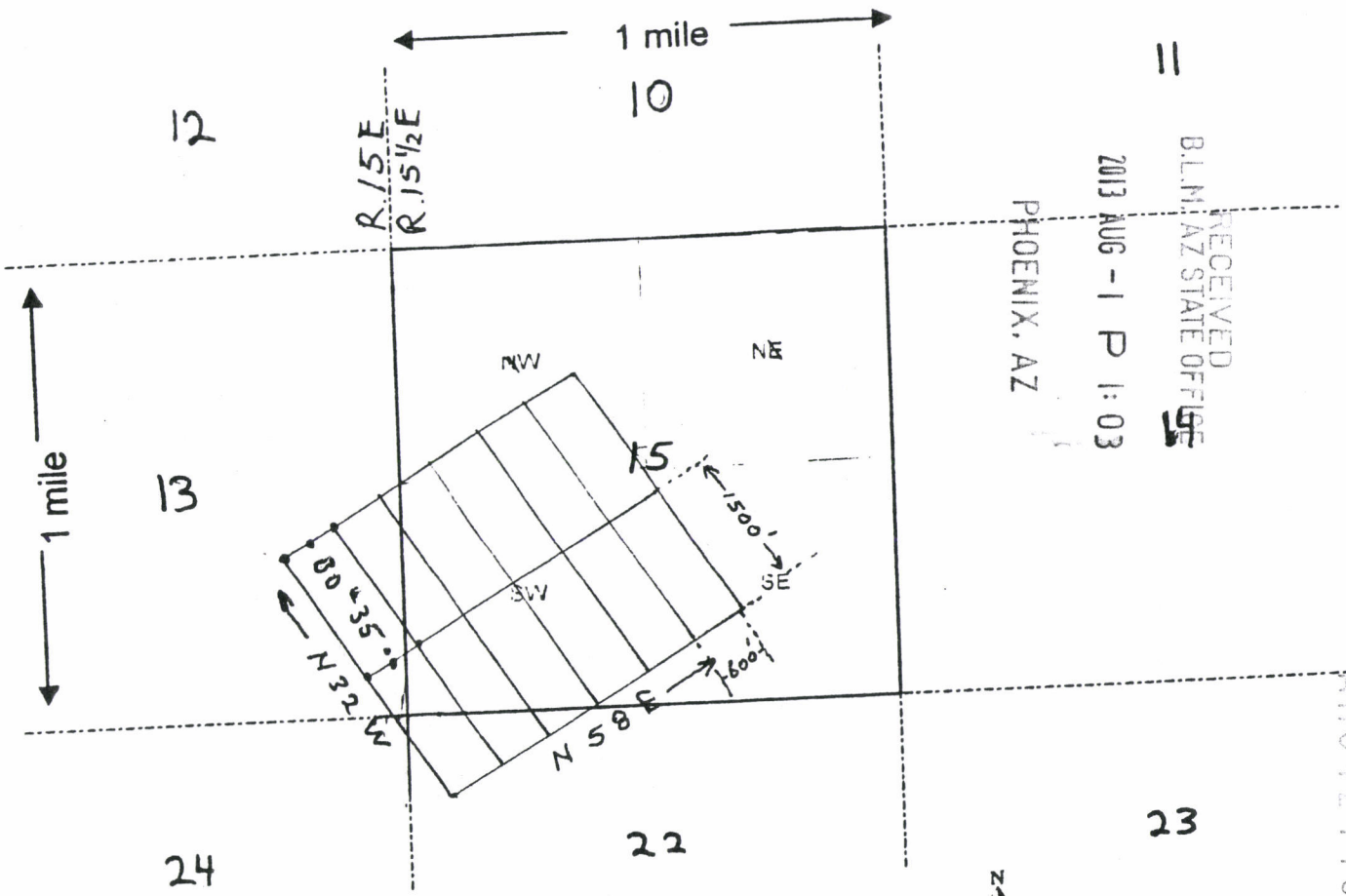
The locality of this claim with reference to some natural object or permanent monument and additional information (if any) concerning its locality are as follows: NW corner of claim is located  
4000 ft East and 3520 ft South of brass cap at  
Nw corner section 13, T. 2 N. R 15 E

DATED AND POSTED on the ground this 7<sup>th</sup> day of July, 2013

LOCATOR (s) Nick Barr  
Agent for Trueclaim Resources (us) Inc

AN10124463

MINING CLAIM MAP



Lode (X) Placer ( )  
 11  
 RECEIVED  
 BLM AZ STATE OFFICE  
 2013 AUG - 1 P 1:03  
 PHOENIX, AZ

A110424463

Scale: 1" = 2000 feet

- The above map depicts the BD # 35 mining claim, which is located in Section (s) 13, Township 2 N, Range 15 E, Gila and Salt River Base and Meridian, Gila County, Arizona. and Section 15 T2N R15 1/2 E
- The type of corner and location monuments used are as follows:  
2" x 2" x 4' wood posts.
- The bearings and distances in degrees and feet between claim corners are as depicted on the map.



After recording return to:

Nick Barr  
P.O. Box 6688  
Apache Junction, AZ  
85178



LOCATION NOTICE FOR LODE MINING CLAIM

NOTICE IS HEREBY GIVEN that the

BD # 36 lode mining claim has been located

by Nick Barr (Agent) whose current mailing

address is P.O. Box 6688  
Apache Junction, AZ 85178.

RECEIVED  
BLM, AZ STATE OFFICE  
2013 AUG - 1 P 1:03  
PHOENIX, AZ  
BLM Date Stamp

The general course of this claim is N. 32° W. and it is situated in Gila County, Arizona. This claim is 1500 feet in length and 600 feet in width. This claim runs

from the location monument on which this location notice is posted approximately 20 feet in a N32W direction to the N end line and 1480 feet in a S32E direction to the S end line. This claim is marked by six monuments, one at each corner and one at the center of each end line of the claim.

The location monument on which this notice is posted is situated within Section 13, Township 2 N, Range 15 E, Gila Salt River Base and Meridian, Arizona and this claim encompasses portions of the following quarter section (s), section (s), Township (s) and Range (s) SW 1/4 Sec 15 & NW 1/4 Sec 22 T 2 N R 15 E SE 1/4 Sec 13 & NE 1/4 Sec 24 T. 2 N. R. 15 E. Gila Salt River Base and Meridian, Arizona. (un surveyed)

The locality of this claim with reference to some natural object or permanent monument and additional information (if any) concerning its locality are as follows: NW corner of claim is located 4750 ft East and 4750 ft South of brass cap at NW corner section 13, T. 2 N. R 15 E

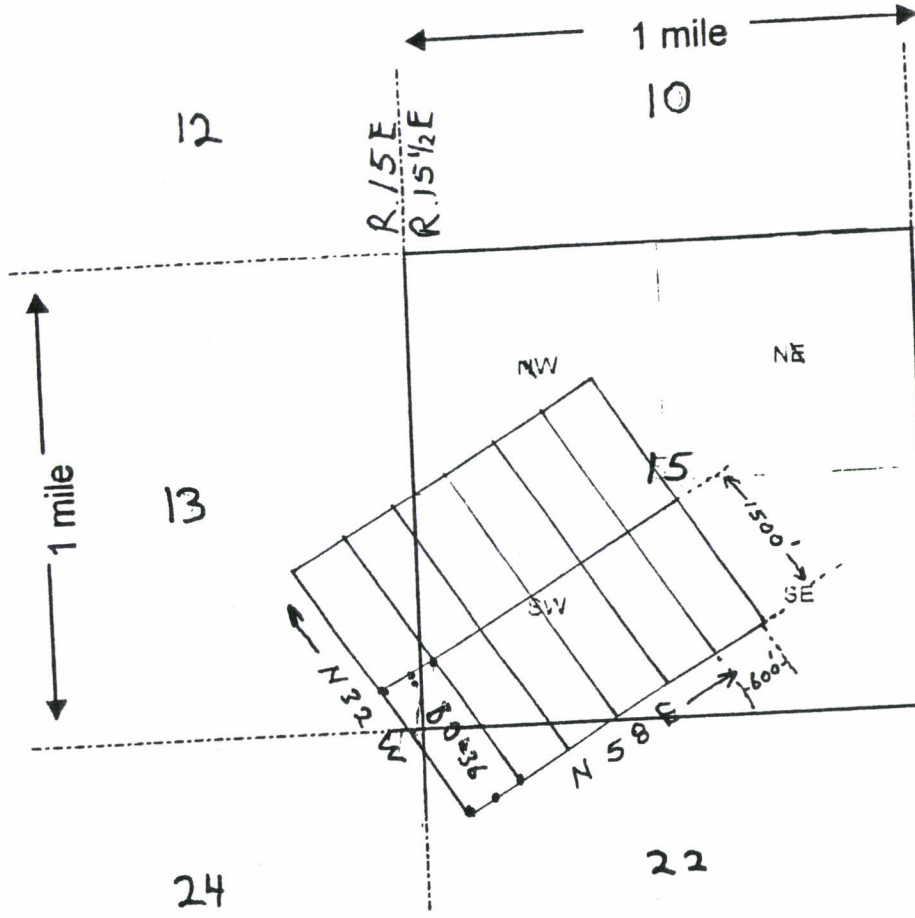
DATED AND POSTED on the ground this 7<sup>th</sup> day of July, 2013.

LOCATOR (s) Nick Barr  
Agent for Trueclaim Resources (us) Inc

AMC0424464

**MINING CLAIM MAP**

Lode (X) Placer ( )



RECEIVED  
 B.L.M. AZ STATE OFFICE  
 2013 AUG -1 P 1:03  
 PHOENIX, AZ

ANCH 28464

Scale: 1" = 2000 feet

- The above map depicts the BD # 36 mining claim, which is located in Section (s) 13, 24, Township 2 N., Range 15 E, Gila and Salt River Base and Meridian, Gila County, Arizona. and SW 1/4 Sec 15, NW 1/4 Sec 22, T. 2 N. R. 15 1/2 E
- The type of corner and location monuments used are as follows: 2" x 2" x 4' wood posts
- The bearings and distances in degrees and feet between claim corners are as depicted on the map.

DEPARTMENT OF INTERIOR  
BUREAU OF LAND MANAGEMENT

Input Parameters for Geographic Report with Land

System Id = CR

Admin State = AZ

Geo State = AZ

Casetype Begins With

Case Disp Txt = AUTHORIZED, CANCELLED, EXPIRED, PENDING, REJECTED, RELINQUISHED, WITHDRAWN

Mer Twp Rng =

Section =

Mtrs = 14 0020N 0150E 013, 14 0020N 0150E 024, 14 0020N 0150E 999, 14 0020N 0152E 015, 14 0020N 0152E 022, 14 0020N 0152E 023, 14 0020N 0152E 027, 14 0020N 0152E 999

Commodity =

Commodity Txt =

Pending Org =

Pend Org Decode =

Total Rows Returned: 0

NO WARRANTY IS MADE BY BLM FOR USE OF THE DATA  
FOR PURPOSES NOT INTENDED BY BLM

RUN TIME: 01:48 PM

DEPARTMENT OF INTERIOR  
BUREAU OF LAND MANAGEMENT

RUN DATE: 08/01/2013

Input Parameters for Geographic Report with Land

System Id = CR

Admin State = AZ

Geo State =

Casetype =

Casetype Txt =

Case Disp Txt = AUTHORIZED, CANCELLED, EXPIRED, PENDING, REJECTED, RELINQUISHED, VOID, WITHDRAWN

Mer Twp Rng =

Mtrs = 14 0020N 0150E 013, 14 0020N 0150E 999, 14 0020N 0152E 015, 14 0020N 0152E 022, 14 0020N 0152E 023, 14 0020N 0152E 999

Commodity =

Commodity Txt =

Adm Agency Begins With

Total Rows Returned: 0

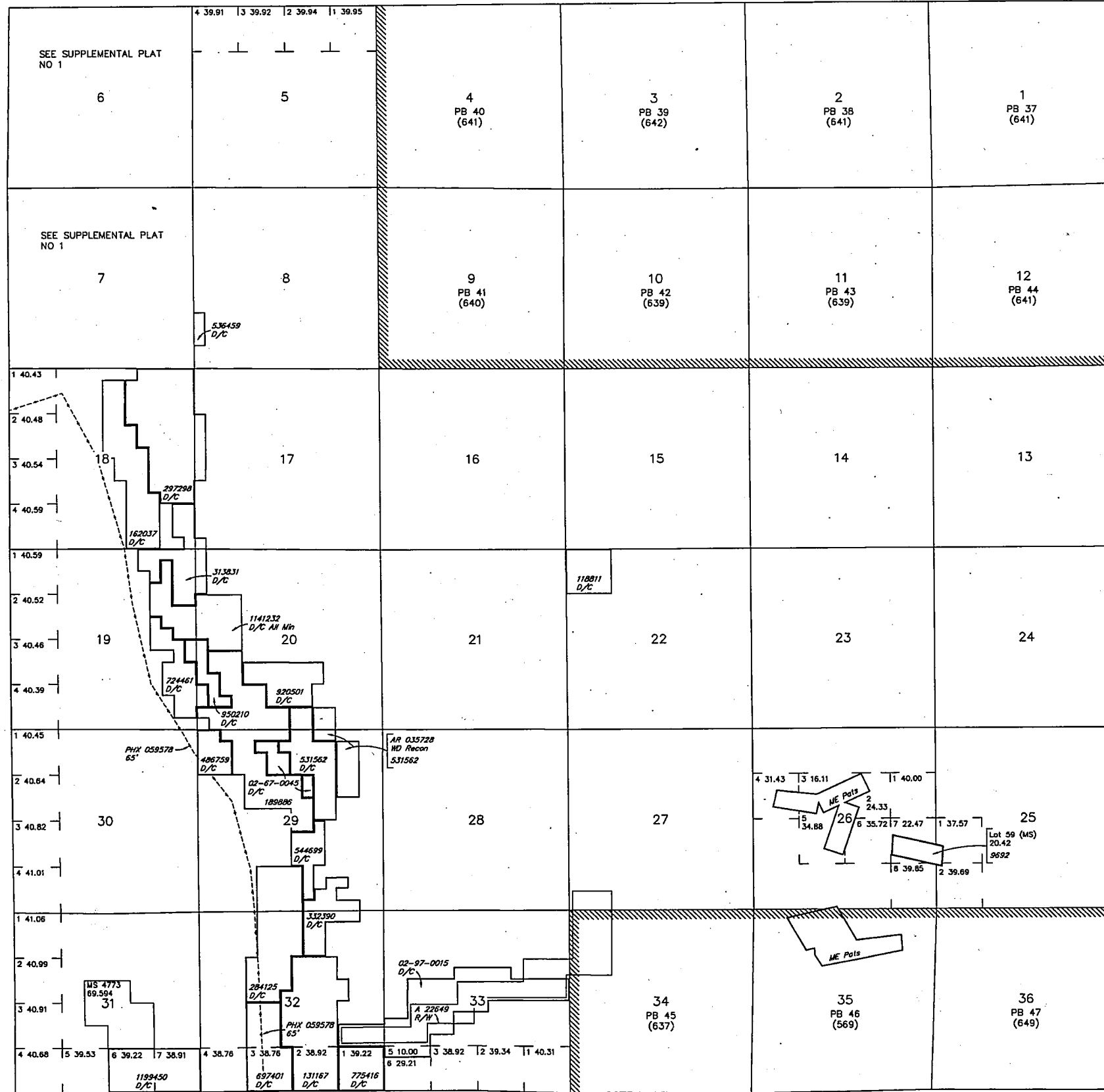
NO WARRANTY IS MADE BY BLM FOR USE OF THE DATA  
FOR PURPOSES NOT INTENDED BY BLM

# PARTIAL SURVEYED TOWNSHIP 2 NORTH RANGE 15 EAST OF THE GILA AND SALT RIVER MERIDIAN, ARIZONA

AMENDED PROTRACTION DIAGRAM OFFICIALLY FILED 06/18/2003

GILA COUNTY  
SAFFORD FIELD OFFICE

STATUS OF PUBLIC DOMAIN  
LAND AND MINERAL TITLES



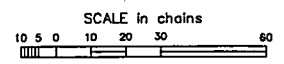
INDEX TO SEGREGATED TRACTS				
TRACT NO	ORIGINAL SURVEY			
	T	R	SEC	SUBDIVISION

FOR ORDERS AFFECTING DISPOSAL OR USE OF UNIDENTIFIED LANDS WITHDRAWN FOR CLASSIFICATION, MINERALS, WATER AND/OR OTHER PUBLIC PURPOSES, REFER TO INDEX OF MISCELLANEOUS DOCUMENTS.

MDS 165 SE  
All Trp Included in Well Tonto NF PLO 924 10/23/1953  
All Trp included in Determination Area PL 167 AR 023734 12/31/1959

A 22660 R/W Construction Roads and Trails  
Sec 27: S1/2SW1/4SW1/4  
Sec 32: S1/2NE1/4SW1/4  
Sec 33: SE1/4NE1/4, S1/2SW1/4NE1/4, SE1/4SE1/4NW1/4, N1/2NE1/4SW1/4, NE1/4NW1/4SW1/4, S1/2NW1/4SW1/4  
Sec 34: NW1/4NW1/4, N1/2SW1/4NW1/4

R 14E R 15E  
T 1N



WARNING STATEMENT  
This plot is the Bureau's Record of Title, and should be used only as a graphic display of the township survey data. Records herein do not reflect title changes which may have been effected by lateral movements of rivers or other bodies of water. Refer to the cadastral surveys for official survey information.

T 2N  
R 15E  
Lat 33°27'46"N  
Long 110°44'32"W

CURRENT TO	NW	GSR Mer
7-31-2012	ACAD	T 2N R 15E

# PARTIALLY SURVEYED TOWNSHIP 2 NORTH RANGE 15 EAST OF THE GILA AND SALT RIVER MERIDIAN, ARIZONA

AMENDED PROTRACTION DIAGRAM OFFICIALLY FILED 06/18/2003

GILA COUNTY  
SAFFORD FIELD OFFICE

STATUS OF PUBLIC DOMAIN  
LAND AND MINERAL TITLES



INDEX TO SEGREGATED TRACTS				
RESURVEY	ORIGINAL SURVEY			
TRACT NO	T	R	SEC	SUBDIVISION

FOR ORDERS AFFECTING DISPOSAL OR USE OF  
UNIDENTIFIED LANDS WITHDRAWN FOR CLASSIFICATION,  
MINERALS, WATER AND/OR OTHER PUBLIC PURPOSES,  
REFER TO INDEX OF MISCELLANEOUS DOCUMENTS.

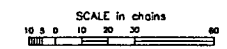
MDS 165 SE

All Tr included in Waf Tonto NF PLO 924 10/23/1953

All Tr included in Determination Area PL 107 AR 023734  
12/31/1959

- A 22660 R/W Construction Roads and Trails
- Sec 27: S1/2SW1/4SW1/4
- Sec 32: S1/2NE1/4SW1/4
- Sec 33: SE1/4NE1/4, S1/2SW1/4NE1/4,  
SE1/4SE1/4NW1/4, N1/2NE1/4SW1/4,  
NE1/4NW1/4SW1/4, S1/2NW1/4SW1/4
- Sec 34: NW1/4NW1/4, N1/2SW1/4NW1/4

R 14E R 15E  
T 1N



WARNING STATEMENT  
This plot is the Bureau's Record of Title, and should be used  
only as a graphic display of the Township survey data. Bound-  
ary lines on this tract (the amount which may have been  
affected by lateral movements of rivers or other bodies of water,  
prior to the recorded surveys for official survey information.

T 2N  
R 15WE  
T 1N  
Lat 33°27'46"N  
Long 110°44'32"W

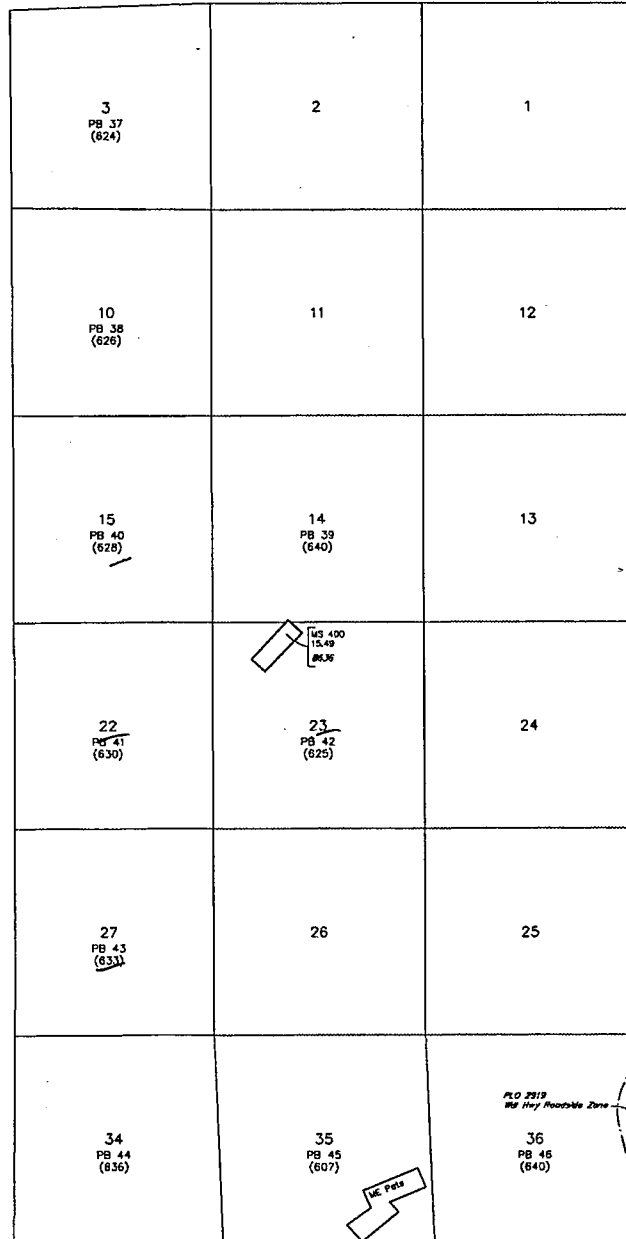
CURRENT TO	NW	GSR Mer
7-31-2012	ACAD	T 2 N R 15 E

UNSURVEYED TOWNSHIP 2 NORTH RANGE 15½ EAST OF THE GILA AND SALT RIVER MERIDIAN, ARIZONA

AMENDED PROTRACTOR DIAGRAM OFFICIALLY FILED 02/03/2006

GILA COUNTY  
SUPPORT FIELD OFFICE

STATUS OF PUBLIC DOMAIN  
LAND AND MINERAL TITLES



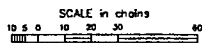
INDEX TO SEGREGATED TRACTS					
RESURVEY	ORIGINAL SURVEY				
	TRACT NO	T	R	SEC	SUBDIVISION

FOR ORDERS AFFECTING DISPOSAL OR USE OF  
UNDEVELOPED LANDS WITHDRAWN FOR CLASSIFICATION,  
MINERALS, WATER AND/OR OTHER PUBLIC PURPOSES,  
REFER TO INDEX OF MISCELLANEOUS DOCUMENTS

NDS 173 N1/2  
174 S1/2

All Tr included in Waf Tanta NF PLO 924 10/23/1953

All Tr included in Determination Area PL 167 AR 017616  
8/29/1957



WARNING STATEMENT  
This plot is the Bureau's Record of Title and should be used  
only as a graphic display of the tentative survey data. Rec-  
ord and reason do not reflect title changes unless they have been  
affected by lateral movements of plates or other bodies of water.  
Refer to the cadastral maps for official survey information.

CURRENT TO	NW	GSR Mer
5-3-2013	ACAD	T 2 N
		R 15½ E